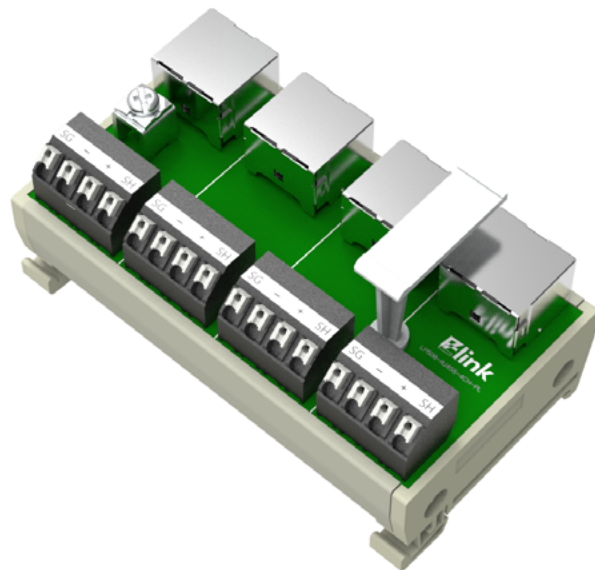


# RJ45-interfaces / ETOS-interfaces

LT508 통신 모듈 Series는 RS485 / 232C 시리얼 통신 Interface module로써 4 Channel을 모듈화하여 기기 간 Interface의 신뢰성을 높이고 작업 시간 및 원가를 절감할 수 있는 통신 보드입니다.

R

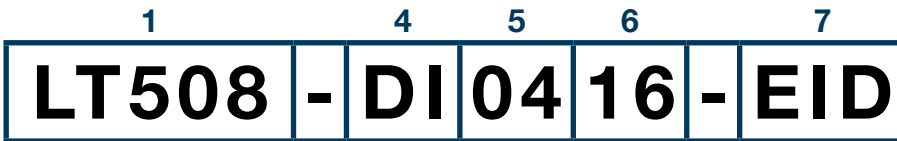
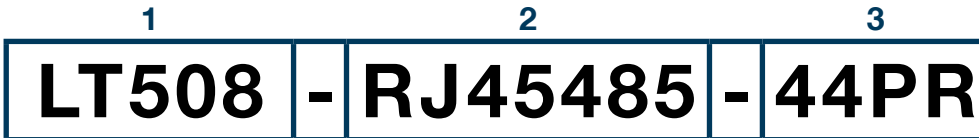
- Screw bolt connection
- Push in spring
- DIN (rail mounted type)



# EZlink communication board

## LT508 series

### Product constitution



#### 1. LT508

- Terminal block  
- 508 : 5.08 Pitch

#### 2. RJ45485

- RJ45485
- RJ45235
- RJ45

#### 3. 44PR

- 44PR : 4ch, 4pin, Push right
- 44PL : 4ch, 4pin, Push left
- 4ch : 4ch

#### 4. DI

- Card form  
- DI : Digital input

#### 5. 04

- Channels

#### 6. 16

- Signal point

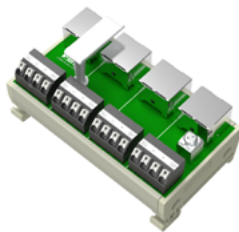
#### 7. EID

- Board classification

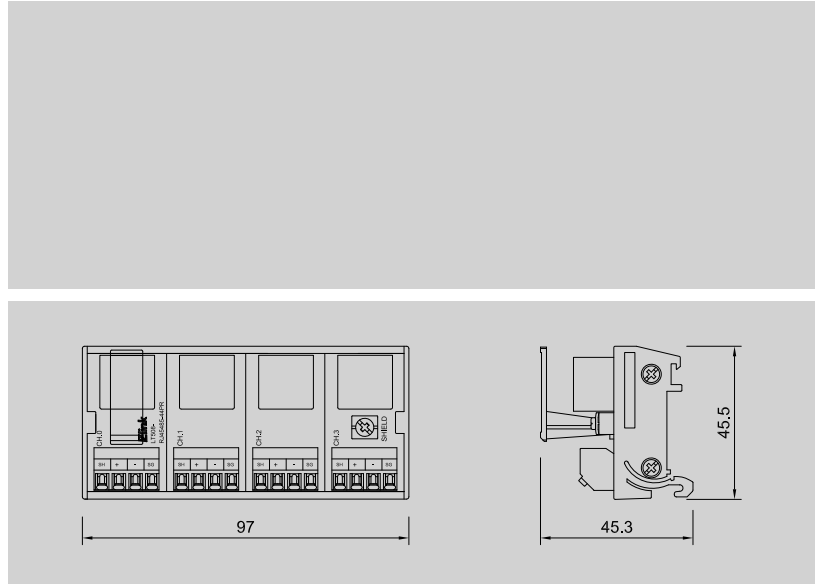
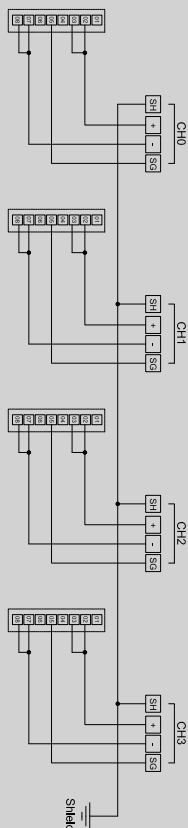
## RJ45 - Interfaces

RS485 4ch. connection (shield)

LT508 series



LT508-RJ45485-44PR (right connection)



### Technical data

<b>Connection data</b>	
Connection on control side	4 x RJ45 plug-in connectors
Connection size (field)	Push in spring x 4
<b>Rated data</b>	
Operating voltage	50V
Operating current per connection	1A
Number of signals	12
<b>General data</b>	
Ambient temperature	-25°C ~ 50°C
Storage temperature	-40°C ~ 60°C
Rated voltage	≤ 50V AC
Insulation test voltage	0.5KV DC
Weight	Approx. 70.9g
<b>Dimensions</b>	
Length x width x height (mm)	5.08 Pitch 97 x 45.5 x 45.3
Mounting rail	TS35 (Weidmuller)
<b>Ordering data</b>	
Order No.	520620001 (5.08 Pitch)
<b>Accessories / Spare part</b>	
Terminal markers	5.08
Cross-connector	
<b>Use with</b>	
Front connector	Cable

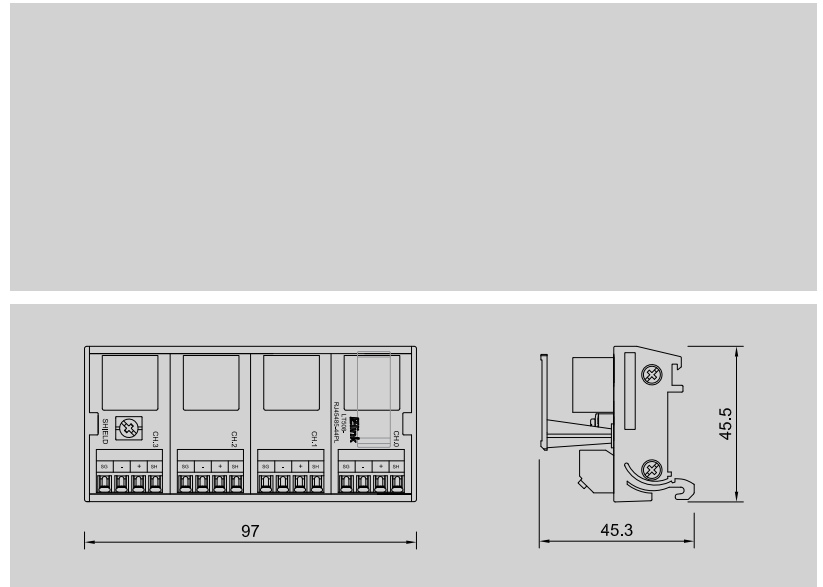
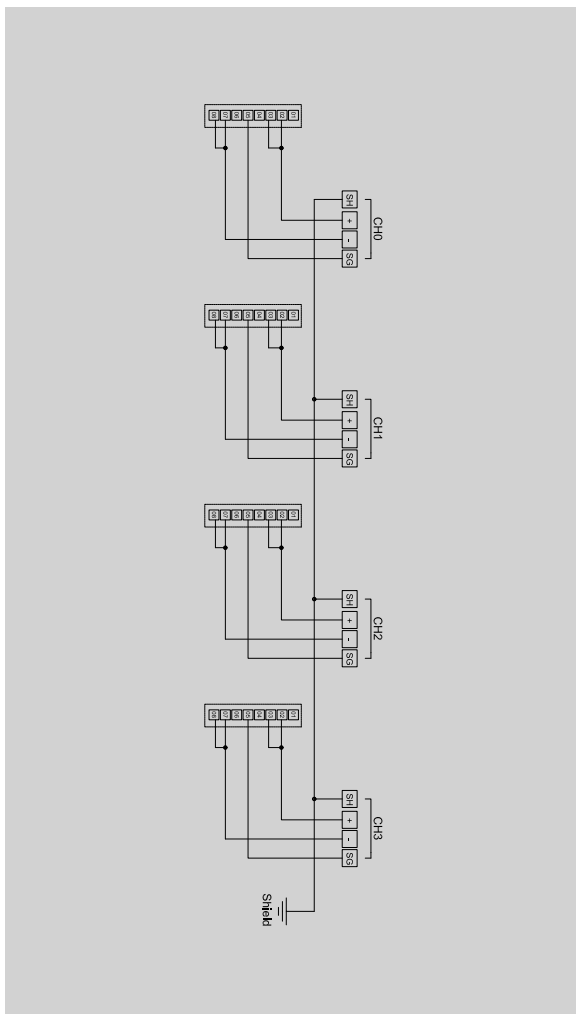
## RJ45 - Interfaces

RS485 4ch. connection (shield)

LT508 series



LT508-RJ45485- 44PL (left connection)



### Technical data

Connection data	
-----------------	--

Connection on control side	4 x RJ45 plug-in connectors
Connection size (field)	Push in spring x 4

Rated data	
------------	--

Operating voltage	50V
Operating current per connection	1A
Number of signals	12

General data	
--------------	--

Ambient temperature	-25°C - 50°C
Storage temperature	-40°C - 60°C
Rated voltage	≤ 50V AC
Insulation test voltage	0.5KV DC
Weight	Approx. 70.9g

Dimensions	
------------	--

Length x width x height (mm)	5.08 Pitch	97 x 45.5 x 45.3
------------------------------	------------	------------------

Mounting rail	TS35 (Weidmuller)
---------------	-------------------

### Ordering data

Order No.	520620002 (5.08 Pitch)
-----------	------------------------

### Accessories / Spare part

Terminal markers	5.08
Cross-connector	

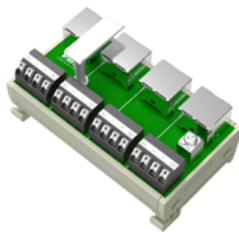
### Use with

Front connector	Cable
-----------------	-------

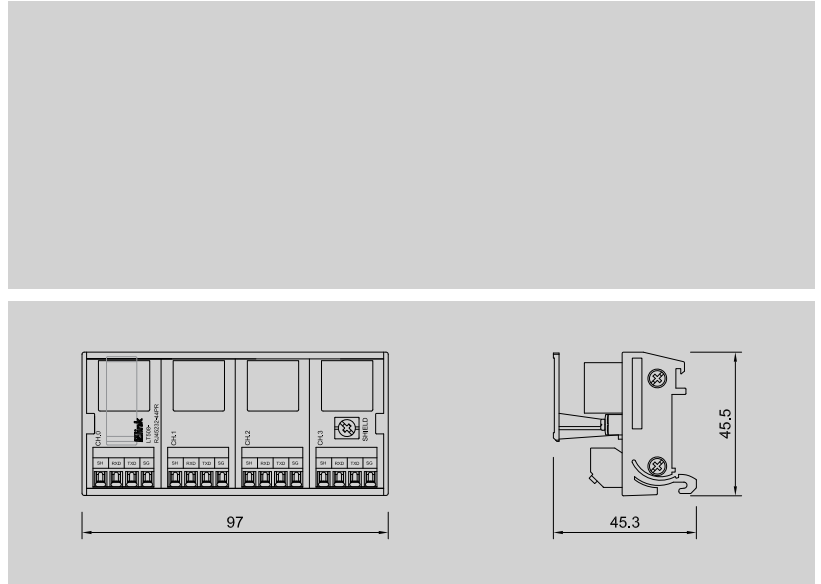
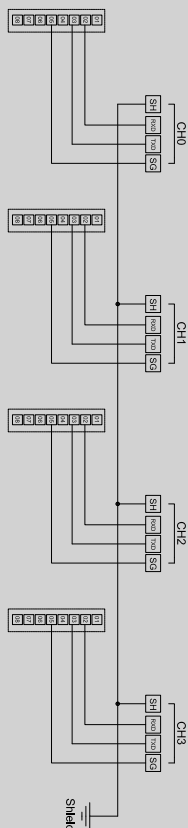
## RJ45 - Interfaces

RS232 4ch. connection (shield)

LT508 series



LT508-RJ45232-44PR (right connection)



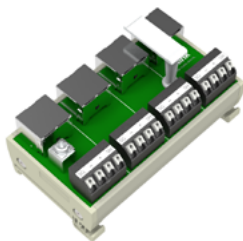
### Technical data

<b>Connection data</b>	
Connection on control side	4 x RJ45 plug-in connectors
Connection size (field)	Push in spring x 4
<b>Rated data</b>	
Operating voltage	50V
Operating current per connection	1A
Number of signals	12
<b>General data</b>	
Ambient temperature	-25°C ~ 50°C
Storage temperature	-40°C ~ 60°C
Rated voltage	≤ 50V AC
Insulation test voltage	0.5KV DC
Weight	Approx. 70.9g
<b>Dimensions</b>	
Length x width x height (mm)	5.08 Pitch 97 x 45.5 x 45.3
Mounting rail	TS35 (Weidmuller)
<b>Ordering data</b>	
Order No.	520620003 (5.08 Pitch)
<b>Accessories / Spare part</b>	
Terminal markers	5.08
Cross-connector	
<b>Use with</b>	
Front connector	Cable

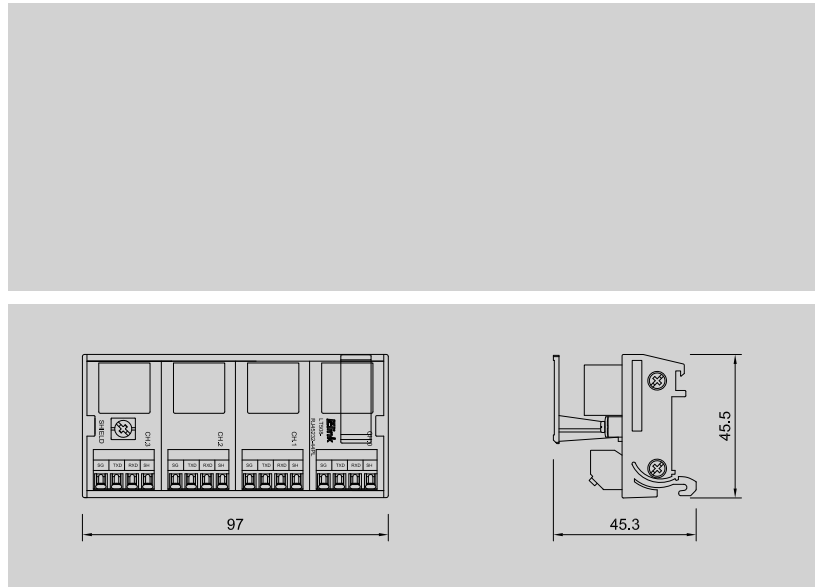
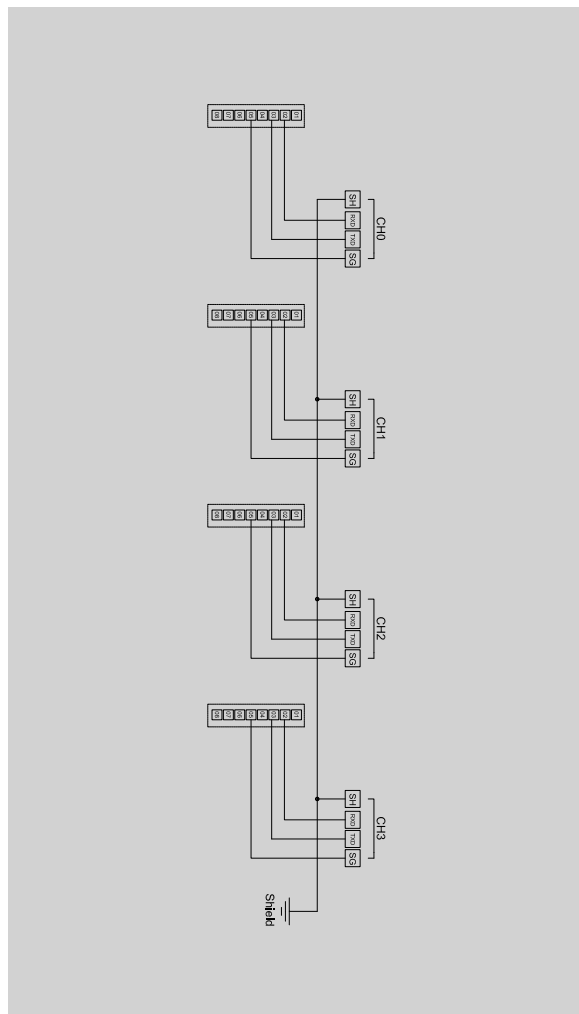
## RJ45 - Interfaces

RS232 4ch. connection (shield)

LT508 series



LT508-RJ45232- 44PL (left connection)



### Technical data

<b>Connection data</b>	
Connection on control side	4 x RJ45 plug-in connectors
Connection size (field)	Push in spring x 4
<b>Rated data</b>	
Operating voltage	50V
Operating current per connection	1A
Number of signals	12
<b>General data</b>	
Ambient temperature	-25°C - 50°C
Storage temperature	-40°C - 60°C
Rated voltage	≤ 50V AC
Insulation test voltage	0.5KV DC
Weight	Approx. 70.9g
<b>Dimensions</b>	
Length x width x height (mm)	5.08 Pitch 97 x 45.5 x 45.3
Mounting rail	TS35 (Weidmuller)
<b>Ordering data</b>	
Order No.	520620004 (5.08 Pitch)
<b>Accessories / Spare part</b>	
Terminal markers	5.08
Cross-connector	
<b>Use with</b>	
Front connector	Cable

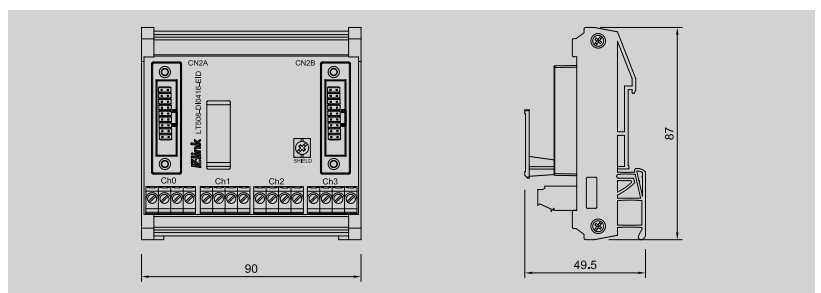
# ETOS - Interfaces

RS485 4ch. connection (shield)

LT508 series

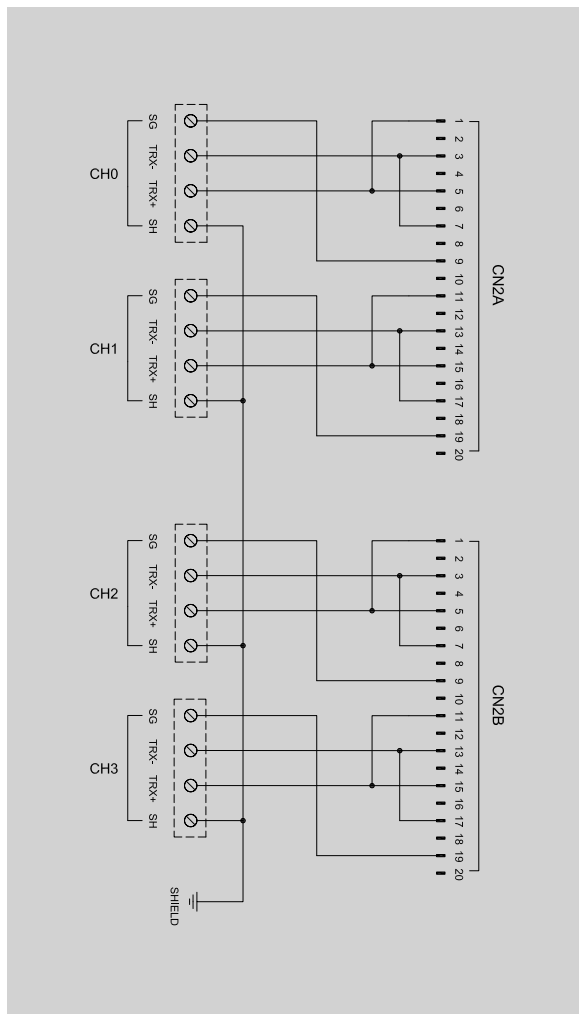


Bolt lock



R

LT508-DI0416-EID



### Technical data

Connection data	
Connection on control side	HE 10 connectors 20-pole x 2
Connection size (field)	Screw bolt connection

Rated data	
Operating voltage	50V
Operating current per connection	1A
Number of signals	12

General data	
Ambient temperature	-25°C ~ 50°C
Storage temperature	-40°C ~ 60°C
Rated voltage	≤ 50V AC
Insulation test voltage	0.5KV DC
Weight	Approx. 105.1g

Dimensions		
Length x width x height (mm)	5.08 Pitch	90 x 87 x 49.5

Mounting rail	TS35 (Weidmuller)
---------------	-------------------

Ordering data	
Order No.	520619005 (5.08 Pitch)

Accessories / Spare part	
Terminal markers	5.08
Cross-connector	

Use with	
Front connector	Cable DADHC1020-10K24B x 2