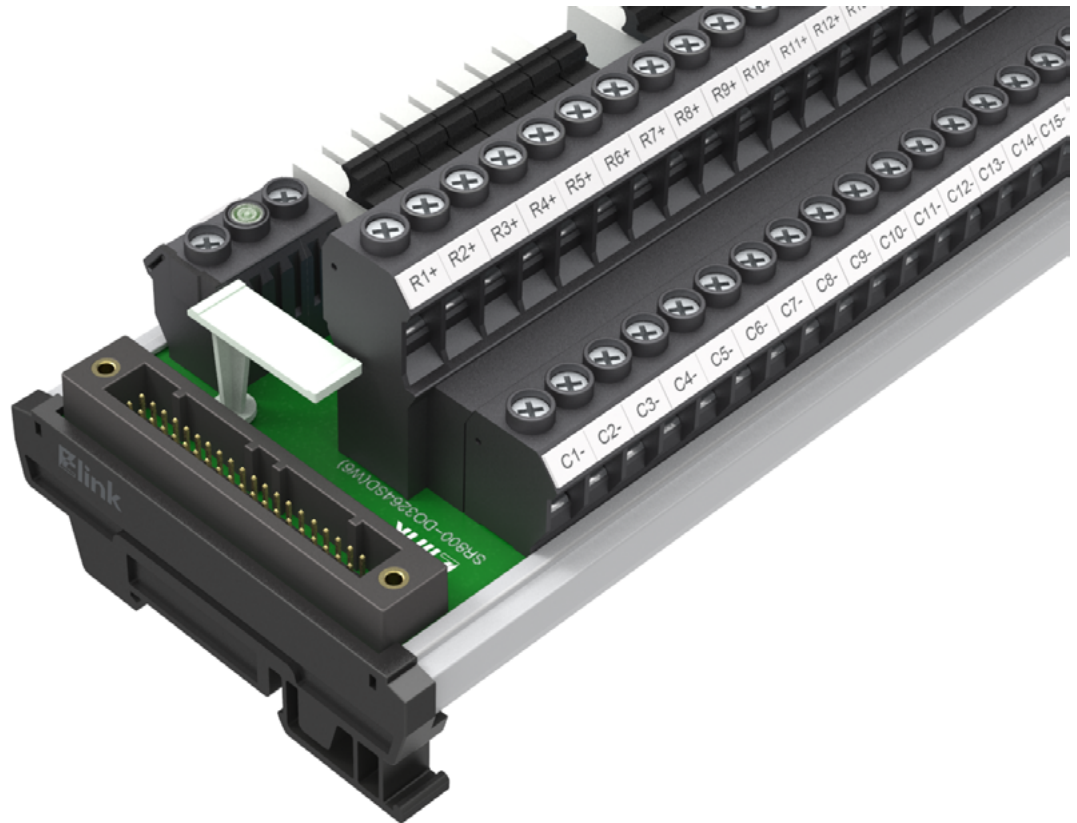


# Isolated interfaces for digital input / output signals

## For 16, 32 point

SR650 / SR800 시리즈 릴레이 모듈은 지멘스 PLC S7-300 시리즈 20 / 40-pin 커넥터와 호환이 되고 입출력 모듈을 통하여 각종 시스템을 안정적으로 구동하기 위하여 개발되었습니다. 또한, 개별로 릴레이를 배선하지 않고 모듈화하여 프론트 커넥터와 원터치로 취부하므로 작업 시간 단축은 물론 오배선이 없으므로 시스템 설계와 제어반 제작의 효율을 극대화합니다.

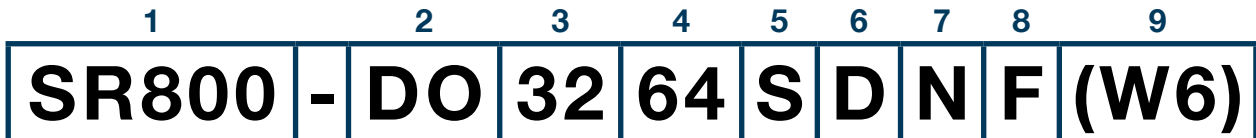
- Bolt-up (terminal block)
- Compact design
- Power indicator
- DIN (rail mounted type)
- Dual marking



# EZlink relay unit

## SR650 / SR800 series

### Product constitution



#### 1. SR800

- Relay Board
  - 650 : 6.5 Pitch
  - 800 : 8.0 Pitch

#### 2. DO

- Card form
  - DI : Digital input
  - DO : Digital output

#### 3. 32

- Signal point

#### 4. 64

- The load side

#### 5. S

- Applicable PLC
  - S : SIMENS
  - R : Allen-Bradley

#### 6. D

- Contact mode
  - D : Dry contac
  - W : Wet contac

#### 7. N

- Optional
  - N : NPN
  - Blank : PNP
  - S : Swtich

#### 8. F

- F : Fuse
- D : Disconnection
- S : Selection

#### 9. W6

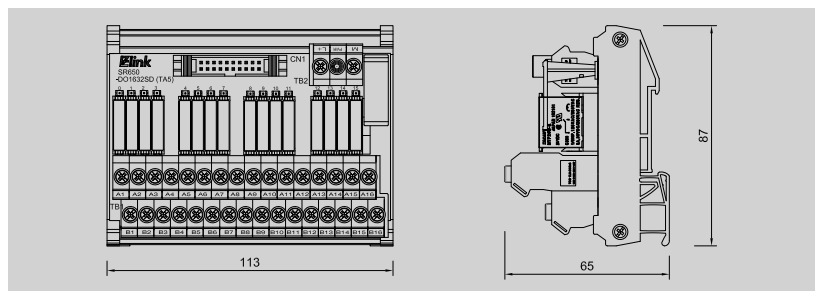
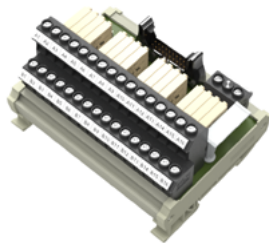
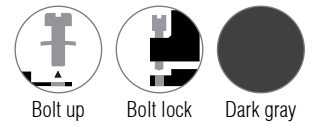
- Type of relay
  - W6 : WAGO 6A
  - SN6 : Schneider 6A
  - S8 : Tyco 8A
  - TA5 : TAKAMISAWA 5A

**Digital output relay unit**  
For 16 isolated digital output signals

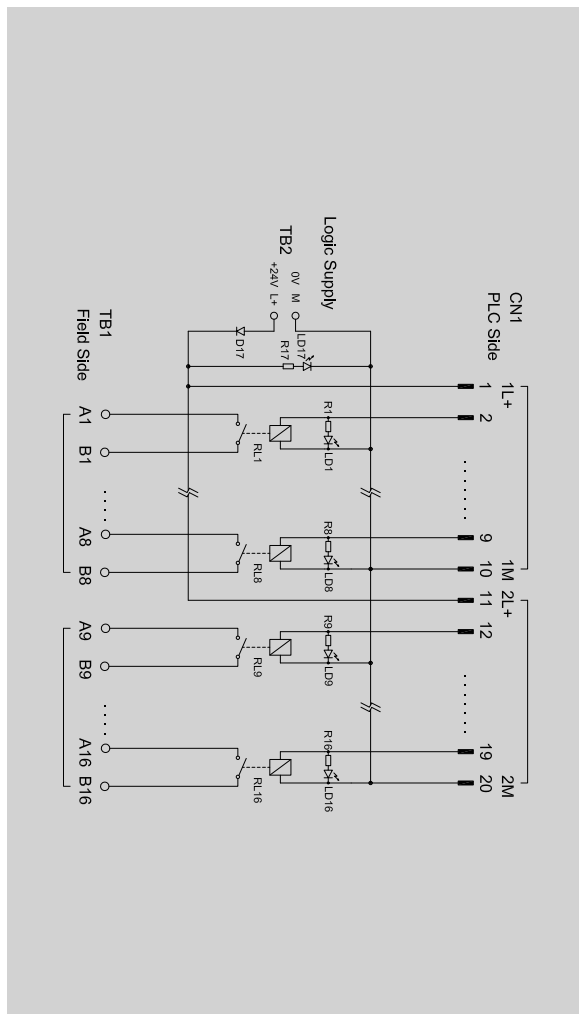
6ES7322-1BH01-0AA0  
6ES7322-1BH10-0AA0

Relay - TAKAMISAWA 5A 16 point (16a)

**SR650 20P series**



SR650-D01632SD (TA5)



**Technical data**

<b>Connection data</b>	
Connection to PLC	HE 10 connectors 20-pin
Connection type (field)	Screw bolt up
Connection size (field)	0.34 ~ 2.5mm <sup>2</sup> (AWG22 ~ 14)
<b>Nominal input data (coil)</b>	
Rated voltage	24VDC ± 10%
Rated current DC	5.0mA
Pick-up / drop-out volt. DC-coil	>16.1V / <2.4V
Coil resistance (+ / - 10%)	4,800
Power rating	120mW
LED status indication per channel	Red(5mA)
<b>Nominal output data</b>	
Contact material	Gold overlay silver alloy
Operating voltage	250VAC
Max. switching current	5A
Nominal switching capacity	5A 250VAC, 5A 30VDC
Minimum contact current	1mA
Minimum contact voltage	5V
<b>General data</b>	
Ambient temperature	-25°C ~ 50°C
Storage temperature	-40°C ~ 60°C
Weight 6.50 / 8.00	Approx. 319.1g / ---g
<b>Dimensions</b>	
Length x width x height (mm)	6.50 Pitch: 113 x 87 x 65 8.00 Pitch: -
Mounting rail	TS35 (Weidmuller)

**Ordering data**

Order No.	
632220001 (6.50 Pitch)	--- (8.00 Pitch)

**Accessories / Spare part**

Terminal markers	6.50	8.00
Cross-connector	6.50 COM-6509	8.00

**Use with**

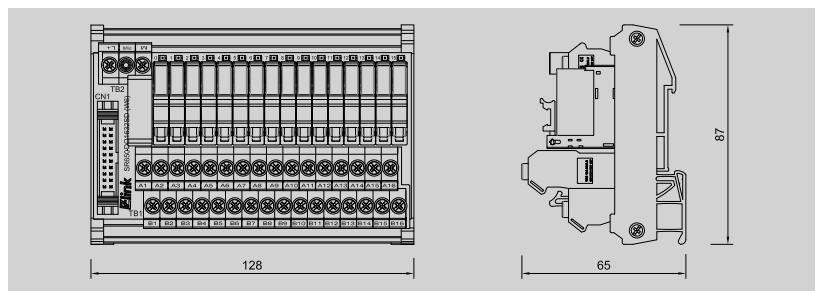
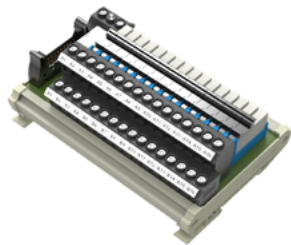
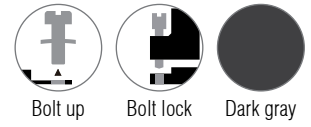
Front connector	Cable
S7-300S-DA20P	DHH20-10K25L

**Digital output relay unit**  
For 16 isolated digital output signals

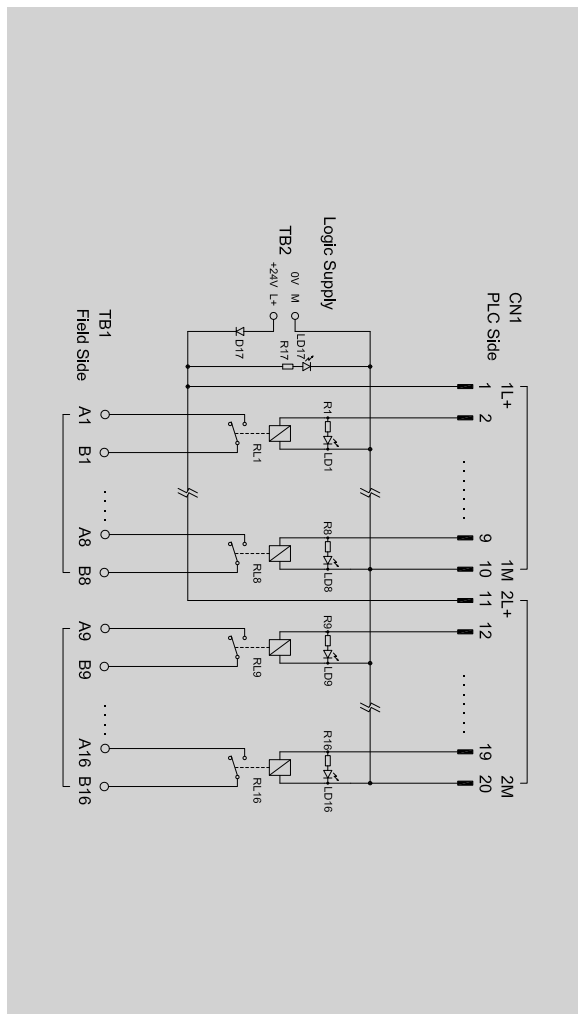
6ES7322-1BH01-0AA0  
6ES7322-1BH10-0AA0

Relay - WAGO 6A 16 point (16a)

**SR650 20P series**



SR650-D01632SD (W6)



**Technical data**

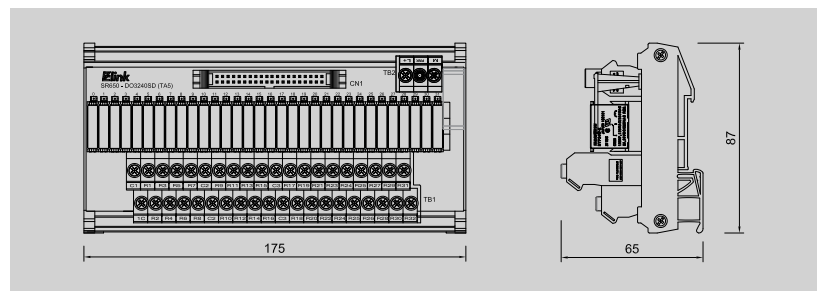
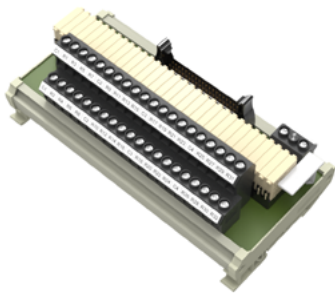
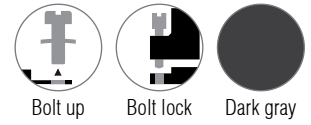
<b>Connection data</b>	
Connection to PLC	HE 10 connectors 20-pin
Connection type (field)	Screw bolt up
Connection size (field)	0.34 – 2.5mm <sup>2</sup> (AWG22 – 14)
<b>Nominal input data (coil)</b>	
Rated voltage	24VDC ± 10%
Rated current DC	9.2mA
Pick-up / drop-out volt. DC-coil	>16.8V / <3.5V
Coil resistance (+ / - 10%)	2,600
Power rating	220mW
LED status indication per channel	Red(5mA)
<b>Nominal output data</b>	
Contact material	AgSnO <sub>2</sub>
Operating voltage	250VAC
Max. switching current	6A
Nominal switching capacity	6A 250VAC, 6A 30VDC
Minimum contact current	1mA
Minimum contact voltage	24V
<b>General data</b>	
Ambient temperature	-25°C – 50°C
Storage temperature	-40°C – 60°C
Weight 6.50 / 8.00	Approx. 352.9g / ---g
<b>Dimensions</b>	
Length x width x height (mm)	6.50 Pitch: 128 x 87 x 65 8.00 Pitch: -
Mounting rail	TS35 (Weidmuller)
<b>Ordering data</b>	
Order No.	
632220002 (6.50 Pitch)	--- (8.00 Pitch)
<b>Accessories / Spare part</b>	
Terminal markers	6.50: 8.00
Cross-connector	6.50 COM-6509: 8.00
<b>Use with</b>	
Front connector	Cable
S7-300S-DA20P	DHH20-10K25L

**Digital output relay unit**  
For 32 isolated digital output signals

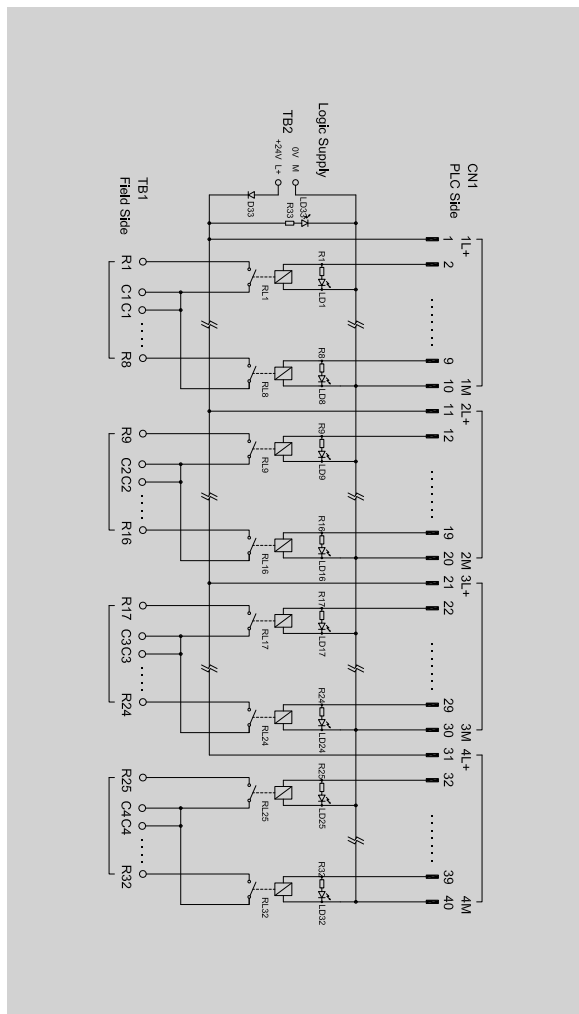
6ES7322-1BL00-0AA0

Relay - TAKAMISAWA 5A 32 point (32a), 8COM x 4

**SR650 40P series**



SR650-D03240SD (TA5)



**Technical data**

<b>Connection data</b>	
Connection to PLC	HE 10 connectors 40-pin
Connection type (field)	Screw bolt up
Connection size (field)	0.34 ~ 2.5mm <sup>2</sup> (AWG22 ~ 14)
<b>Nominal input data (coil)</b>	
Rated voltage	24VDC ± 10%
Rated current DC	5.0mA
Pick-up / drop-out volt. DC-coil	>16.1V / <2.4V
Coil resistance (+ / - 10%)	4,800
Power rating	120mW
LED status indication per channel	Red(5mA)
<b>Nominal output data</b>	
Contact material	Gold overlay silver alloy
Operating voltage	250VAC
Max. switching current	5A
Nominal switching capacity	5A 250VAC, 5A 30VDC
Minimum contact current	1mA
Minimum contact voltage	5V
<b>General data</b>	
Ambient temperature	-25°C ~ 50°C
Storage temperature	-40°C ~ 60°C
Weight 6.50 / 8.00	Approx. 500.3g / ---g
<b>Dimensions</b>	
Length x width x height (mm)	6.50 Pitch 175 x 87 x 65 8.00 Pitch -
<b>Mounting rail</b>	
TS35 (Weidmuller)	
<b>Ordering data</b>	
Order No.	
634220003 (6.50 Pitch)	--- (8.00 Pitch)
<b>Accessories / Spare part</b>	
Terminal markers	6.50 8.00
Cross-connector	6.50 COM-6509 8.00
<b>Use with</b>	
Front connector	Cable
S7-300S-DA40P	DHH40-10K25L

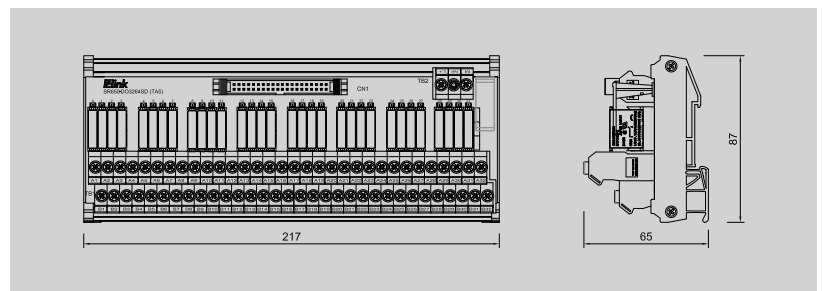
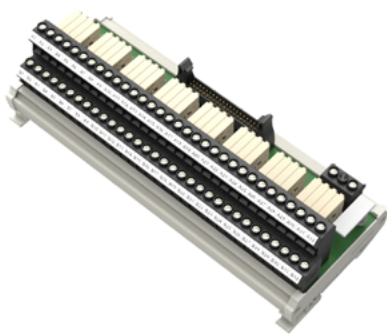
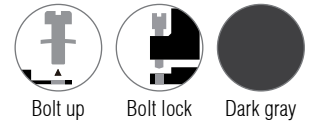
# Digital output relay unit

For 32 isolated digital output signals

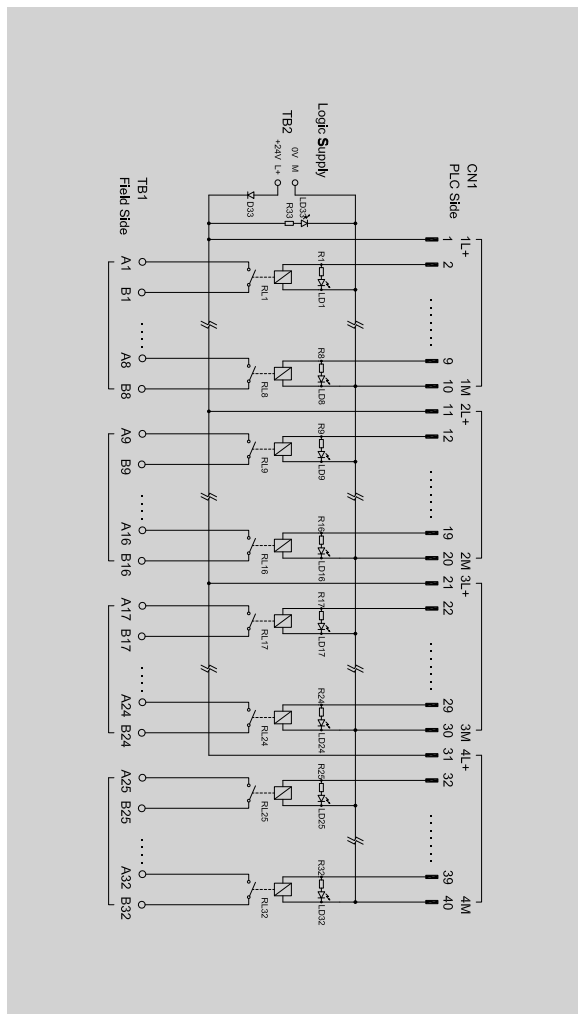
6ES7322-1BL00-0AA0

Relay - TAKAMISAWA 5A 32 point (32a)

SR650 40P series



SR650-D03264SD (TA5)



## Technical data

<b>Connection data</b>	
Connection to PLC	HE 10 connectors 40-pin
Connection type (field)	Screw bolt up
Connection size (field)	0.34 ~ 2.5mm <sup>2</sup> (AWG22 ~ 14)
<b>Nominal input data (coil)</b>	
Rated voltage	24VDC ± 10%
Rated current DC	5.0mA
Pick-up / drop-out volt. DC-coil	>16.1V / <2.4V
Coil resistance (+ / - 10%)	4,800
Power rating	120mW
LED status indication per channel	Red(5mA)
<b>Nominal output data</b>	
Contact material	Gold overlay silver alloy
Operating voltage	250VAC
Max. switching current	5A
Nominal switching capacity	5A 250VAC, 5A 30VDC
Minimum contact current	1mA
Minimum contact voltage	5V
<b>General data</b>	
Ambient temperature	-25°C ~ 50°C
Storage temperature	-40°C ~ 60°C
Weight 6.50 / 8.00	Approx. 613.3g / ---g
<b>Dimensions</b>	
Length x width x height (mm)	6.50 Pitch 217 x 87 x 65 8.00 Pitch -
<b>Mounting rail</b>	
TS35 (Weidmuller)	
<b>Ordering data</b>	
Order No.	
634217004 (6.50 Pitch)	--- (8.00 Pitch)
<b>Accessories / Spare part</b>	
Terminal markers	6.50 8.00
Cross-connector	6.50 COM-6509 8.00
<b>Use with</b>	
Front connector	Cable
S7-300S-DA40P	DHH40-10K25L

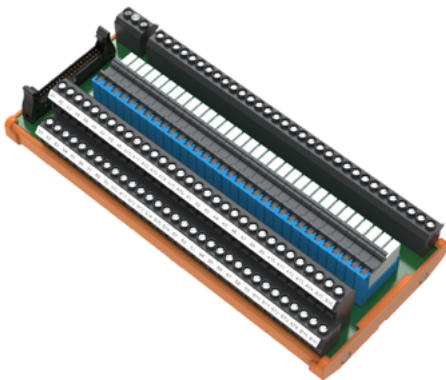
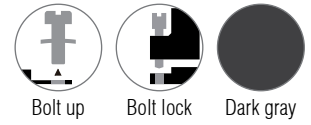
# Digital output relay unit

For 32 isolated digital output signals

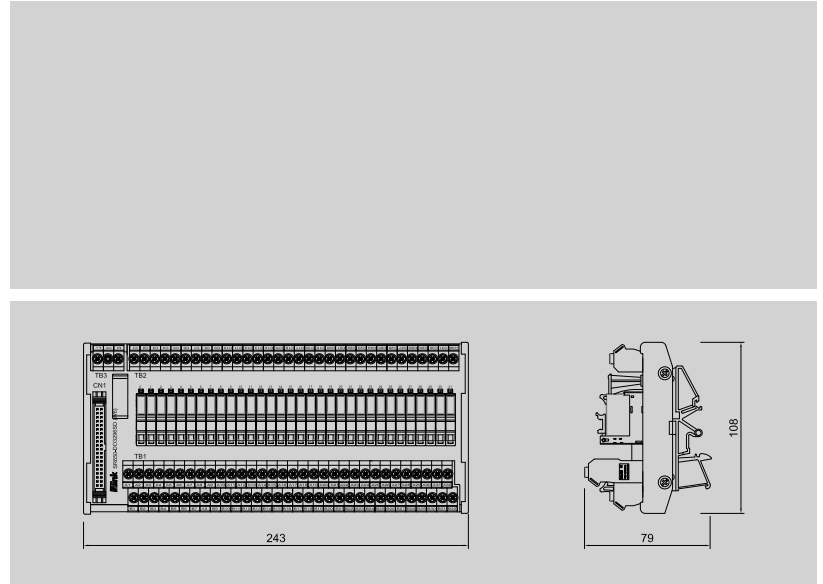
6ES7322-1BL00-0AA0

Relay - WAGO 6A 32 point (32a, 32b)

**SR650 40P series**

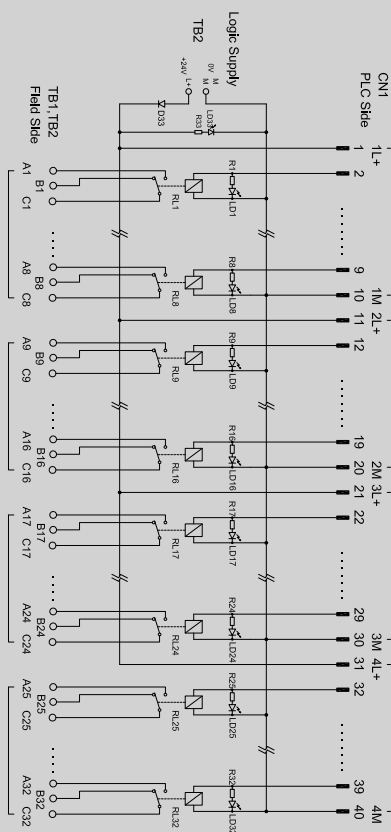


SR650-D03296SD (W6)



### Technical data

<b>Connection data</b>	
Connection to PLC	HE 10 connectors 40-pin
Connection type (field)	Screw bolt up
Connection size (field)	0.34 – 2.5mm <sup>2</sup> (AWG22 – 14)
<b>Nominal input data (coil)</b>	
Rated voltage	24VDC ± 10%
Rated current DC	9.2mA
Pick-up / drop-out volt. DC-coil	>16.8V / <3.5V
Coil resistance (+ / - 10%)	2,600
Power rating	220mW
LED status indication per channel	Red(5mA)
<b>Nominal output data</b>	
Contact material	AgSnO <sub>2</sub>
Operating voltage	250VAC
Max. switching current	6A
Nominal switching capacity	6A 250VAC, 6A 30VDC
Minimum contact current	1mA
Minimum contact voltage	24V
<b>General data</b>	
Ambient temperature	-25°C – 50°C
Storage temperature	-40°C – 60°C
Weight 6.50 / 8.00	Approx. 828.0g / ---g
<b>Dimensions</b>	
Length x width x height (mm)	6.50 Pitch 243 x 108 x 79
	8.00 Pitch -
Mounting rail	TS35 (Weidmuller)
<b>Ordering data</b>	
Order No.	
634217005 (6.50 Pitch)	--- (8.00 Pitch)
<b>Accessories / Spare part</b>	
Terminal markers	6.50 8.00
Cross-connector	6.50 COM-8009 8.00
<b>Use with</b>	
Front connector	Cable
S7-300S-DA40P	DHH40-10K25L



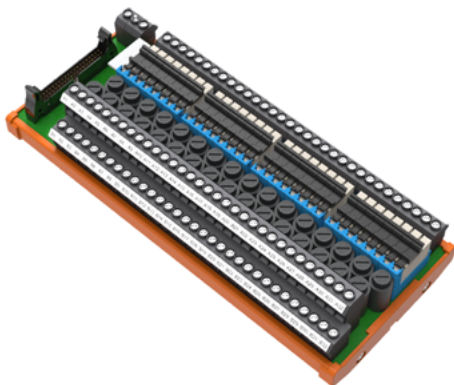
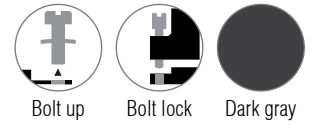
# Digital output relay unit

For 32 isolated digital output signals with fuse per channel

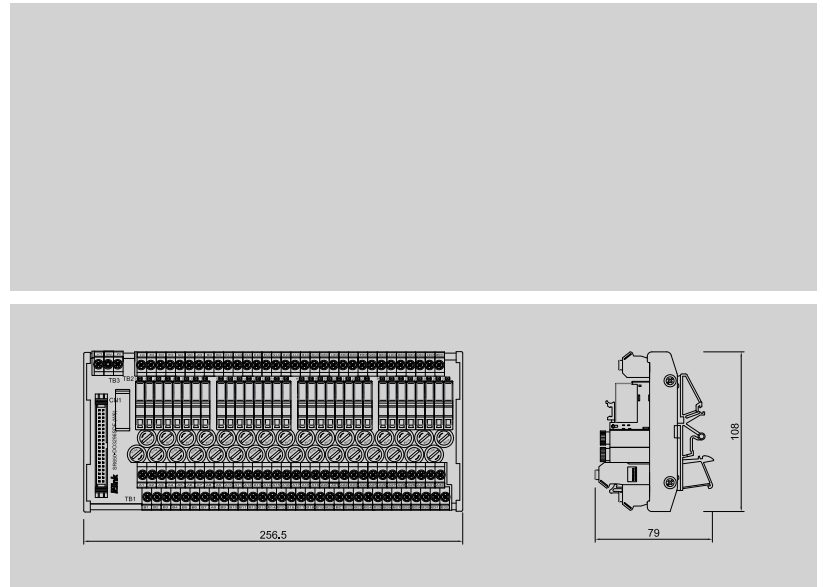
6ES7322-1BL00-0AA0

Relay - WAGO 6A 32 point (32a, 32b)

SR650 40P series

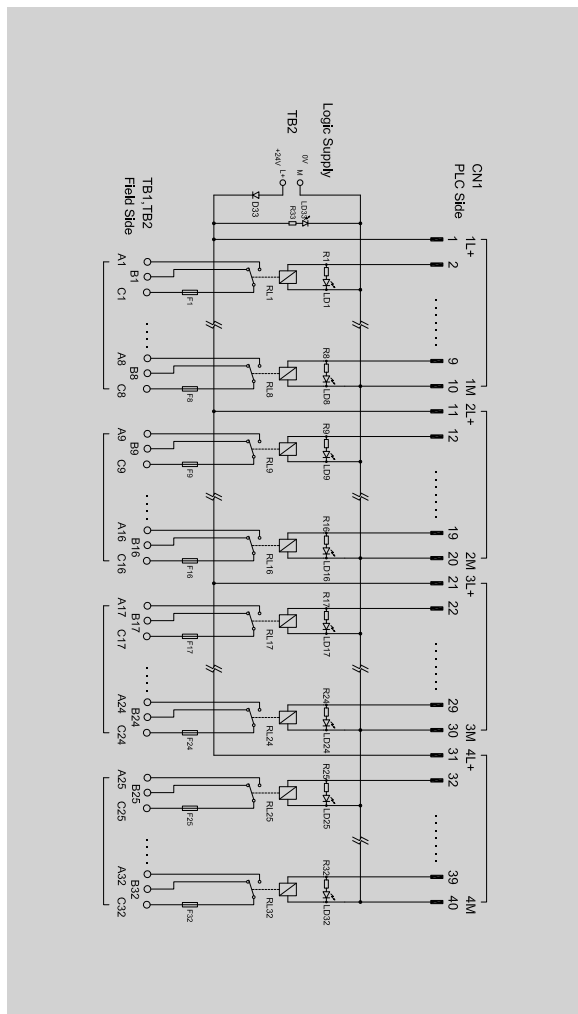


SR650-D03296SDF (W6)



### Technical data

Connection data	
Connection to PLC	HE 10 connectors 40-pin
Connection type (field)	Screw bolt up
Connection size (field)	0.34 ~ 2.5mm <sup>2</sup> (AWG22 ~ 14)
Nominal input data (coil)	
Rated voltage	24VDC ± 10%
Rated current DC	9.2mA
Pick-up / drop-out volt. DC-coil	>16.8V / <3.5V
Coil resistance (+ / - 10%)	2,600
Power rating	220mW
LED status indication per channel	Red(5mA)
Nominal output data	
Contact material	AgSnO <sub>2</sub>
Operating voltage	250VAC
Max. switching current	6A
Nominal switching capacity	6A 250VAC, 6A 30VDC
Minimum contact current	1mA
Minimum contact voltage	24V
Fuse per relay	3 / 5A
General data	
Ambient temperature (operational)	-25°C ~ 50°C
Storage temperature	-40°C ~ 60°C
Weight 6.50 / 8.00	Approx. ---g / 1,070.6g
Dimensions	
Length x width x height (mm)	6.50 Pitch 256.5 x 108 x 79
Mounting rail	TS35 (Weidmuller)
Ordering data	
Order No.	
634218006 (6.50 Pitch)	--- (8.00 Pitch)
Accessories / Spare part	
Terminal markers	6.50 8.00
Cross-connector	6.50 8.00
Use with	
Front connector	Cable
S7-300S-DA40P	DHH40-10K25L





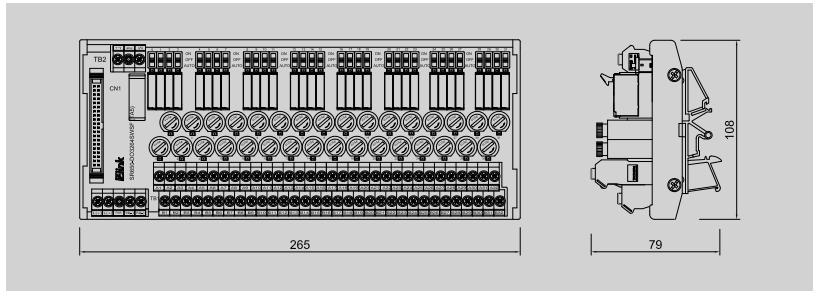
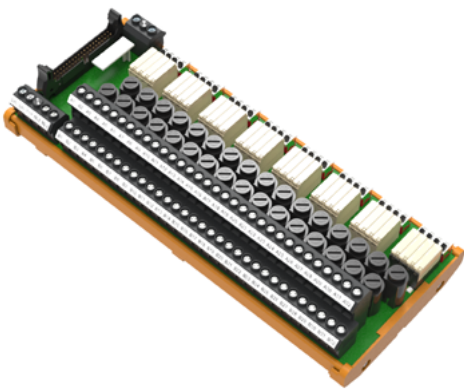
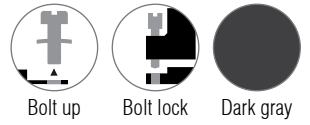
# Digital output relay unit

For 32 isolated digital output signals with fuse per channel

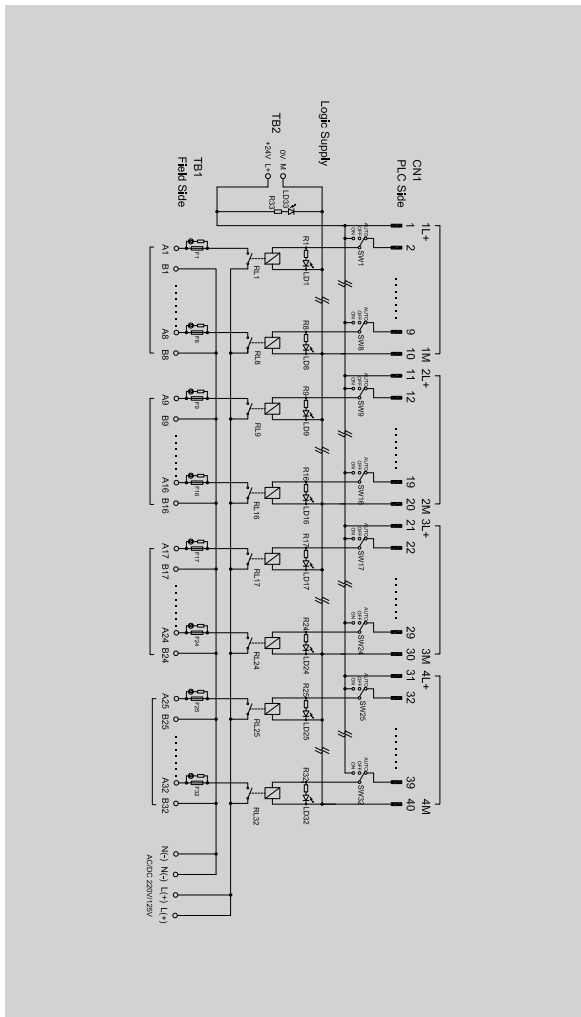
6ES7322-1BL00-0AA0

Relay - TAKAMISAWA 5A 32 point (32a), Input selection ON / OFF / AUTO

SR650 40P series



SR650-D03264SWSF (TA5)



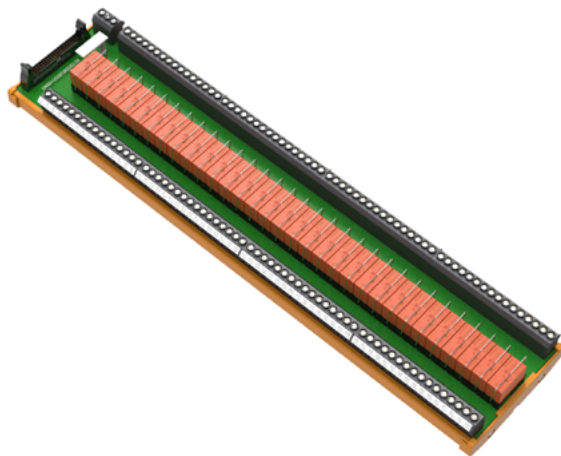
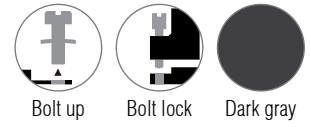
## Technical data

Connection data	
Connection to PLC	HE 10 connectors 40-pin
Connection type (field)	Screw bolt up
Connection size (field)	0.34 – 2.5mm <sup>2</sup> (AWG22 – 14)
Nominal input data (coil)	
Rated voltage	24VDC ± 10%
Rated current DC	5.0mA
Pick-up / drop-out volt. DC-coil	>16.1V / <2.4V
Coil resistance (+ / - 10%)	4,800
Power rating	120mW
LED status indication per channel	Red(5mA)
Nominal output data	
Contact material	Gold overlay silver alloy
Operating voltage	250VAC
Max. switching current	5A
Nominal switching capacity	5A 250VAC, 5A 30VDC
Minimum contact current	1mA
Minimum contact voltage	5V
Fuse per relay	3 / 5A
General data	
Ambient temperature (operational)	-25°C – 50°C
Storage temperature	-40°C – 60°C
Weight 6.50 / 8.00	Approx. 878.3g / ---g
Dimensions	
Length x width x height (mm)	6.50 Pitch 265 x 108 x 79
Mounting rail	TS35 (Weidmuller)
Ordering data	
Order No.	
634217007 (6.50 Pitch)	--- (8.00 Pitch)
Accessories / Spare part	
Terminal markers	6.50 8.00
Cross-connector	6.50 COM-6509 8.00
Use with	
Front connector	Cable
S7-300S-DA40P	DHH40-10K25L

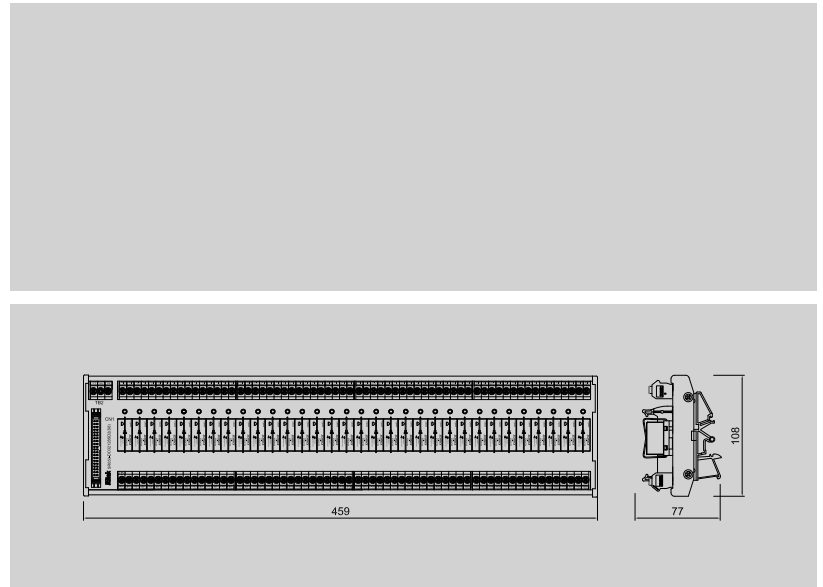
**Digital output relay unit**  
 For 32 isolated digital output signals  
 Relay - Tyco 8A 32 point (32a, 32b)

6ES7322-1BL00-0AA0

**SR650 40P series**

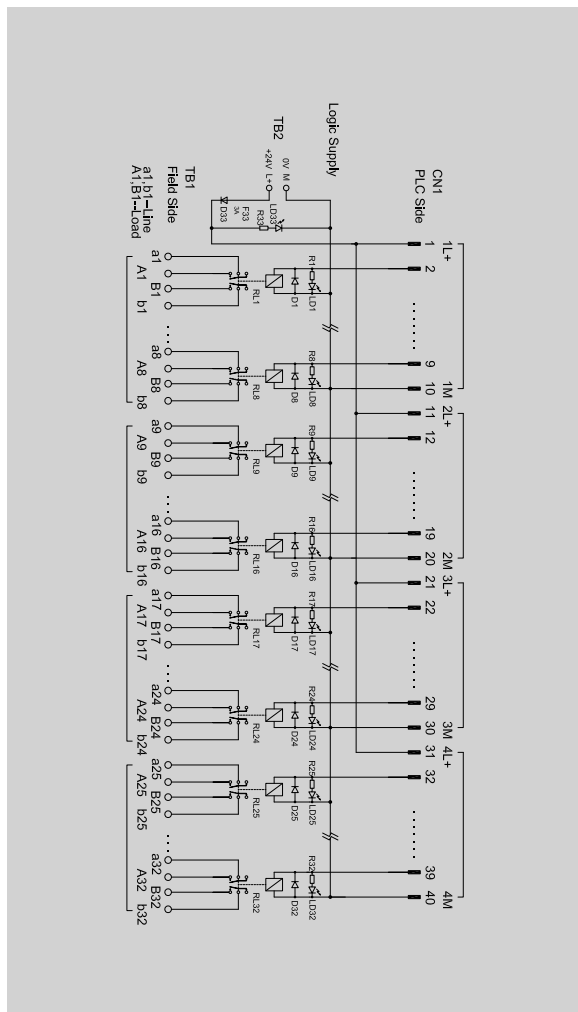


SR650-D032128SD2 (S8)



**Technical data**

<b>Connection data</b>	
Connection to PLC	HE 10 connectors 40-pin
Connection type (field)	Screw bolt up
Connection size (field)	0.34 ~ 2.5mm <sup>2</sup> (AWG22 ~ 14)
<b>Nominal input data (coil)</b>	
Rated voltage	24VDC ± 10%
Rated current DC	16.7mA
Pick-up / drop-out volt. DC-coil	>16.8V / <2.4V
Coil resistance (+ / - 10%)	1,440
Power rating	440mW
LED status indication per channel	Red(5mA)
<b>Nominal output data</b>	
Contact material	AgNi 90/10
Operating voltage	250VAC
Max. switching current	8A
Nominal switching capacity	8A 250VAC, 8A 30VDC
Minimum contact current	10mA
Minimum contact voltage	10V
<b>General data</b>	
Ambient temperature (operational)	-25°C ~ 50°C
Storage temperature	-40°C ~ 60°C
Weight 6.50 / 8.00	Approx. 1,189.4g / ---g
<b>Dimensions</b>	
Length x width x height (mm)	6.50 Pitch 459 x 108 x 77 8.00 Pitch -
<b>Mounting rail</b>	
TS35 (Weidmuller)	
<b>Ordering data</b>	
Order No.	
634220008 (6.50 Pitch)	--- (8.00 Pitch)
<b>Accessories / Spare part</b>	
Terminal markers	6.50 8.00
Cross-connector	6.50 COM-6509 8.00
<b>Use with</b>	
Front connector	Cable
S7-300S-DA40P	DHH40-10K25L



## Digital output relay unit

For 32 isolated digital output signals with fuse per channel

6ES7322-1BL00-0AA0

Relay - Tyco 8A 32 point (32a)

SR650 40P series



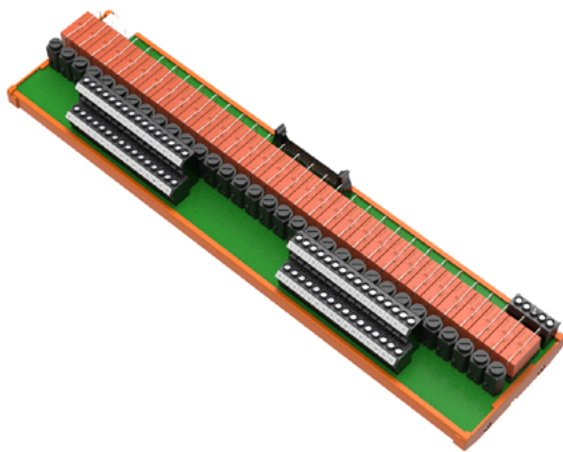
Bolt up



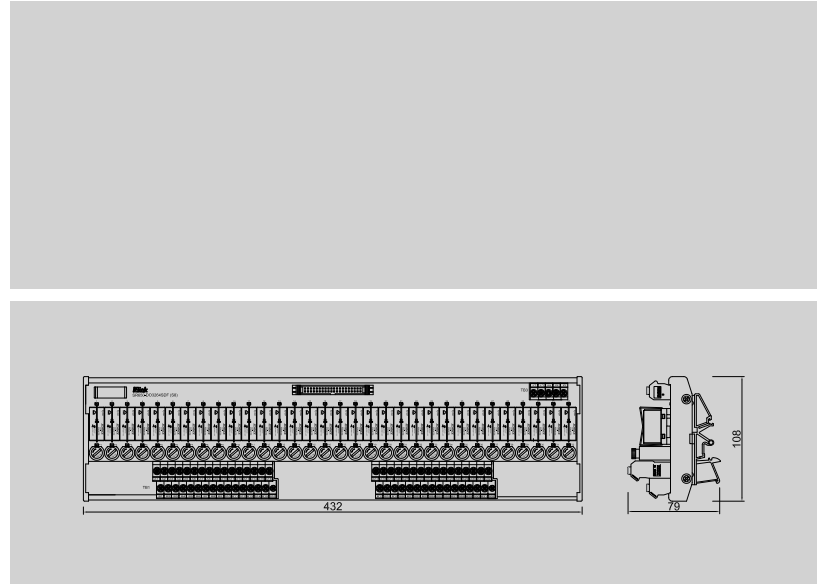
Bolt lock



Dark gray

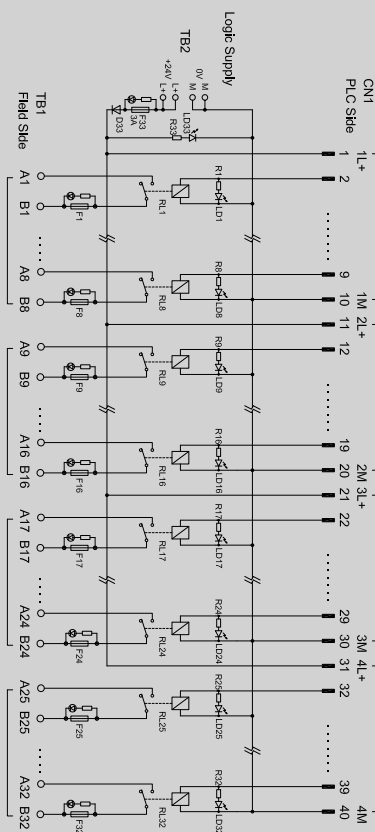


SR650-D03264SDF (S8)



### Technical data

Connection data	
Connection to PLC	HE 10 connectors 40-pin
Connection type (field)	Screw bolt up
Connection size (field)	0.34 – 2.5mm <sup>2</sup> (AWG22 – 14)
Nominal input data (coil)	
Rated voltage	24VDC ± 10%
Rated current DC	16.7mA
Pick-up / drop-out volt. DC-coil	>16.8V / <2.4V
Coil resistance (+ / - 10%)	1,440
Power rating	400mW
LED status indication per channel	Red(5mA)
Nominal output data	
Contact material	AgNi 90/10
Operating voltage	250VAC
Max. switching current	8A
Nominal switching capacity	8A 250VAC, 8A 30VDC
Minimum contact current	10mA
Minimum contact voltage	10V
Fuse per relay	5 / 8A
General data	
Ambient temperature (operational)	-25°C – 50°C
Storage temperature	-40°C – 60°C
Weight 6.50 / 8.00	Approx. 1,319.1g / ---g
Dimensions	
Length x width x height (mm)	6.50 Pitch 432 x 108 x 79
Mounting rail	TS35 (Weidmuller)
Ordering data	
Order No.	
634217009 (6.50 Pitch)	--- (8.00 Pitch)
Accessories / Spare part	
Terminal markers	6.50 8.00
Cross-connector	6.50 COM-6509 8.00
Use with	
Front connector	Cable
S7-300S-DA40P	DHH40-10K25L



## Digital output relay unit

For 32 isolated digital output signals (fuses) input selection ON / OFF / AUTO

6ES7322-1BL00-0AA0

Relay - Tyco 8A 32 point (32a, 32b)

SR650 40P series



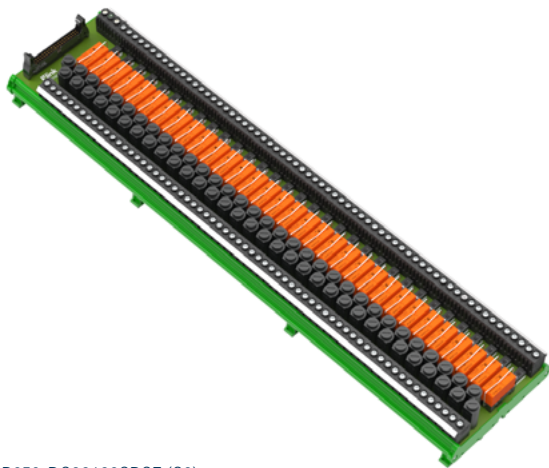
Bolt up



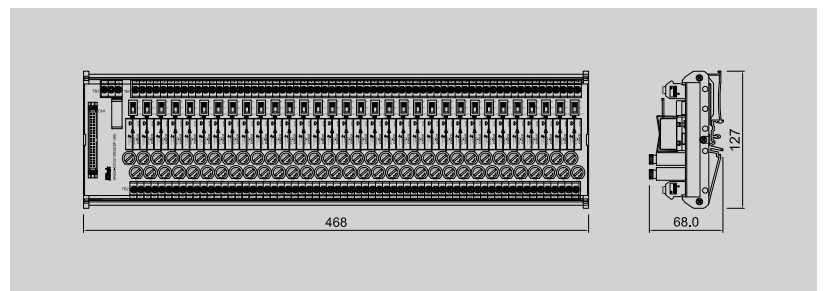
Bolt lock



Dark gray

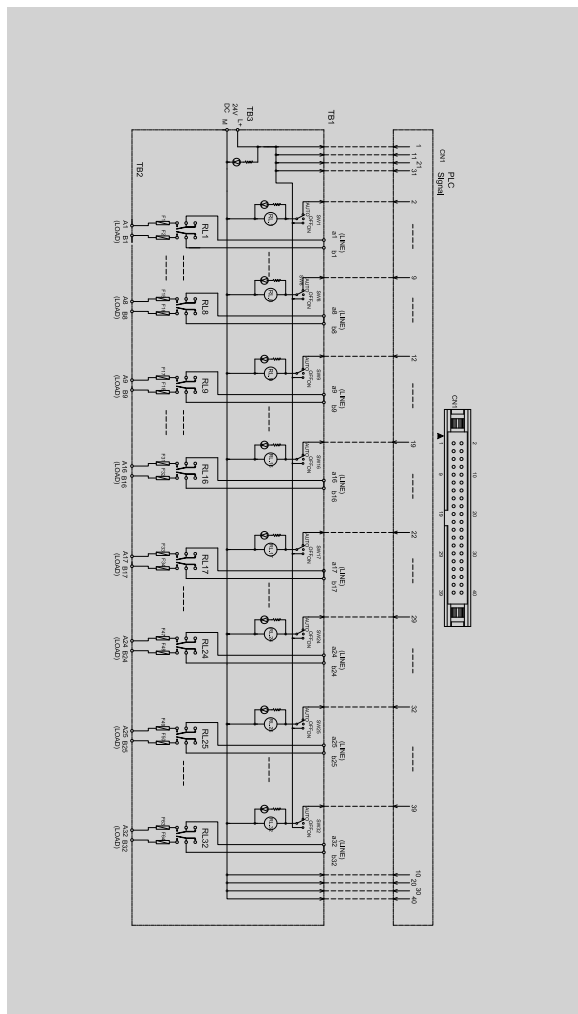


SR650-D032128SDSF (S8)



### Technical data

Connection data	
Connection to PLC	HE 10 connectors 40-pin
Connection type (field)	Screw bolt up
Connection size (field)	0.34 ~ 2.5mm <sup>2</sup> (AWG22 ~ 14)
Nominal input data (coil)	
Rated voltage	24VDC ± 10%
Rated current DC	16.7mA
Pick-up / drop-out volt. DC-coil	>16.8V / <2.4V
Coil resistance (+ / - 10%)	1,440
Power rating	400mW
LED status indication per channel	Red(5mA)
Nominal output data	
Contact material	AgNi 90/10
Operating voltage	250VAC
Max. switching current	8A
Nominal switching capacity	8A 250VAC, 8A 30VDC
Minimum contact current	10mA
Minimum contact voltage	10V
Fuse per relay	5 / 8A
General data	
Ambient temperature (operational)	-25°C ~ 50°C
Storage temperature	-40°C ~ 60°C
Weight 6.50 / 8.00	Approx. 1,466.7g / ---g
Dimensions	
Length x width x height (mm)	6.50 Pitch 468 x 127 x 68
Mounting rail	TS35 (Weidmuller)
Ordering data	
Order No.	
634219010 (6.50 Pitch)	--- (8.00 Pitch)
Accessories / Spare part	
Terminal markers	6.50 8.00
Cross-connector	6.50 COM-6509 8.00
Use with	
Front connector	Cable
S7-300S-DA40P	DHH40-10K25L



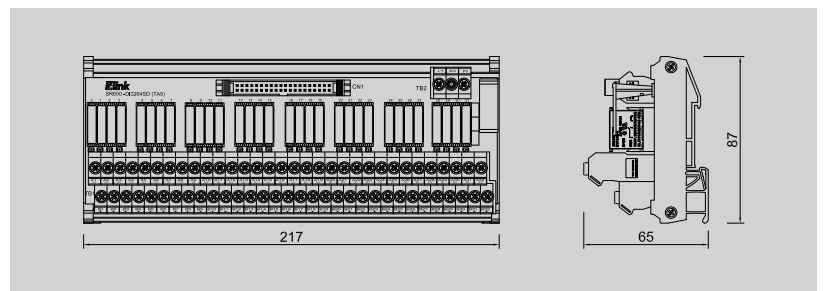
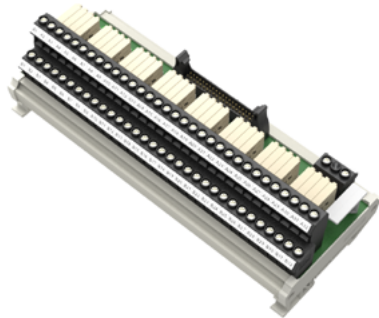
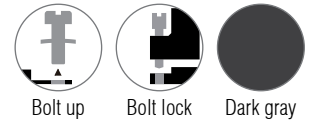
# Digital input relay unit

For 32 isolated digital input signals

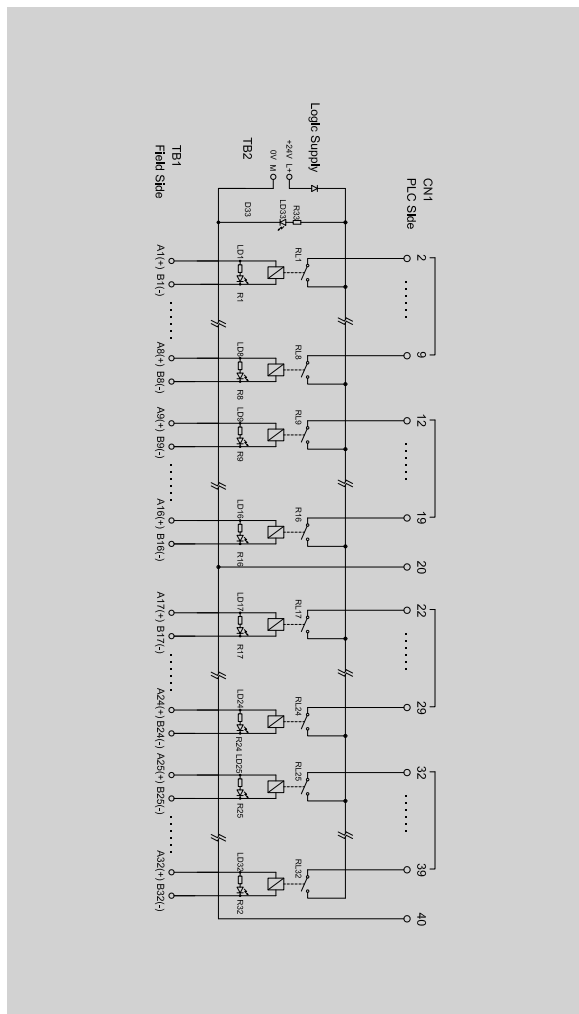
6ES7321-1BL00-0AA0

Relay - TAKAMISAWA 5A 32 point (32a)

SR650 40P series



SR650-DI3264SD (TA5)



### Technical data

<b>Connection data</b>	
Connection to PLC	HE 10 connectors 40-pin
Connection type (field)	Screw bolt up
Connection size (field)	0.34 ~ 2.5mm <sup>2</sup> (AWG22 ~ 14)
<b>Nominal input data (coil)</b>	
Rated voltage	24VDC ± 10%
Rated current DC	5.0mA
Pick-up / drop-out volt. DC-coil	>16.1V / <2.4V
Coil resistance (+ / - 10%)	4,800
Power rating	120mW
LED status indication per channel	Red(5mA)
<b>Nominal output data</b>	
Contact material	Gold overlay silver alloy
Operating voltage	250VAC
Max. switching current	5A
Nominal switching capacity	5A 250VAC, 5A 30VDC
Minimum contact current	1mA
Minimum contact voltage	5V
<b>General data</b>	
Ambient temperature (operational)	-25°C ~ 50°C
Storage temperature	-40°C ~ 60°C
Weight 6.50 / 8.00	Approx. 623.3g / ---g
<b>Dimensions</b>	
Length x width x height (mm)	6.50 Pitch 217 x 87 x 65 8.00 Pitch -
Mounting rail	TS35 (Weidmuller)
<b>Ordering data</b>	
Order No.	
634217011 (6.50 Pitch)	--- (8.00 Pitch)
<b>Accessories / Spare part</b>	
Terminal markers	6.50 8.00
Cross-connector	6.50 COM-6509 8.00
<b>Use with</b>	
Front connector	Cable
S7-300S-DA40P	DHH40-10K25L

## Digital input relay unit

For 32 isolated digital input signals

6ES7321-1BL00-0AA0

Relay - TAKAMISAWA 5A 32 point (32a - NPN)

SR650 40P series



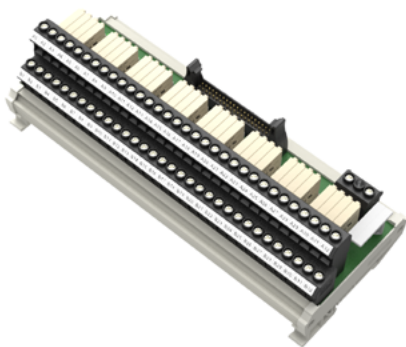
Bolt up



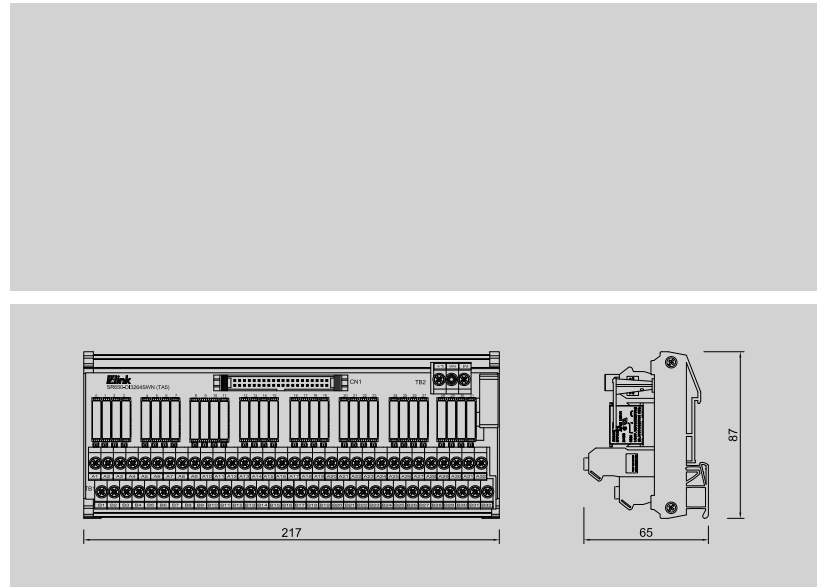
Bolt lock



Dark gray

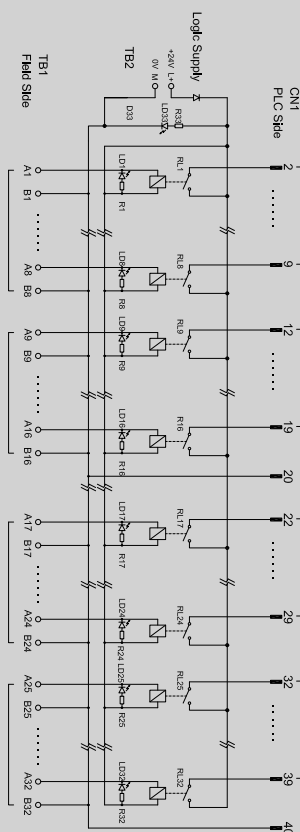


SR650-DI3264SWN (TA5)



### Technical data

<b>Connection data</b>	
Connection to PLC	HE 10 connectors 40-pin
Connection type (field)	Screw bolt up
Connection size (field)	0.34 ~ 2.5mm <sup>2</sup> (AWG22 ~ 14)
<b>Nominal input data (coil)</b>	
Rated voltage	24VDC ± 10%
Rated current DC	5.0mA
Pick-up / drop-out volt. DC-coil	>16.1V / <2.4V
Coil resistance (+ / - 10%)	4,800
Power rating	120mW
LED status indication per channel	Red(5mA)
<b>Nominal output data</b>	
Contact material	Gold overlay silver alloy
Operating voltage	250VAC
Max. switching current	5A
Nominal switching capacity	5A 250VAC, 5A 30VDC
Minimum contact current	1mA
Minimum contact voltage	5V
<b>General data</b>	
Ambient temperature (operational)	-25°C ~ 50°C
Storage temperature	-40°C ~ 60°C
Weight 6.50 / 8.00	Approx. 623.3g / ---g
<b>Dimensions</b>	
Length x width x height (mm)	6.50 Pitch 217 x 87 x 65 8.00 Pitch -
<b>Mounting rail</b>	
TS35 (Weidmuller)	
<b>Ordering data</b>	
Order No.	
634217012 (6.50 Pitch)	--- (8.00 Pitch)
<b>Accessories / Spare part</b>	
Terminal markers	6.50 8.00
Cross-connector	6.50 COM-6509 8.00
<b>Use with</b>	
Front connector	Cable
S7-300S-DA40P	DHH40-10K25L

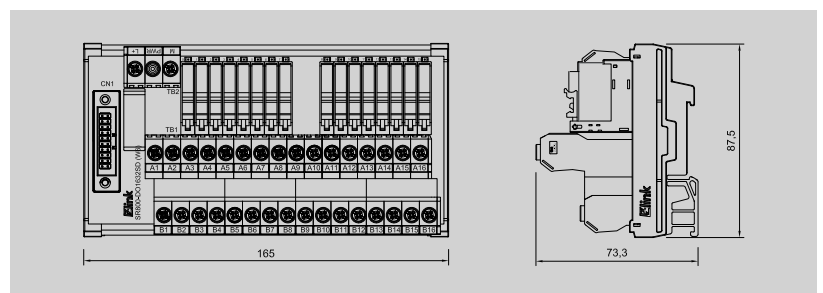
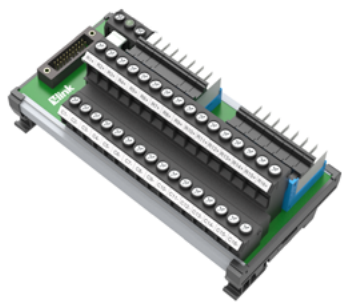
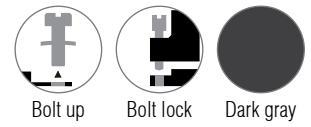


**Digital output relay unit**  
For 16 isolated digital output signals

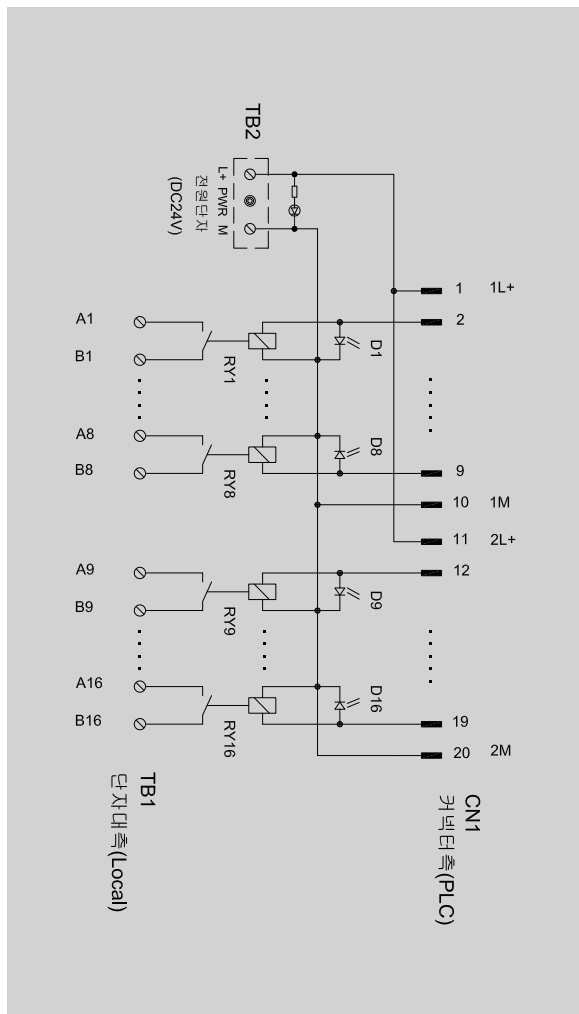
6ES7322-1BH01-0AA0  
6ES7322-1BH10-0AA0

Relay - WAGO 6A 16 point (16a)

**SR800 20P series**



SR800-D01632SD (W6)



**Technical data**

<b>Connection data</b>	
Connection to PLC	HE 10 connectors 20-pin
Connection type (field)	Screw bolt up
Connection size (field)	0.34 ~ 2.5mm <sup>2</sup> (AWG22 ~ 14)
<b>Nominal input data (coil)</b>	
Rated voltage	24VDC ± 10%
Rated current DC	9.2mA
Pick-up / drop-out volt. DC-coil	>16.8V / <3.5V
Coil resistance (+ / - 10%)	2,600
Power rating	220mW
LED status indication per channel	Green(5mA)
<b>Nominal output data</b>	
Contact material	AgSnO <sub>2</sub>
Operating voltage	250VAC
Max. switching current	6A
Nominal switching capacity	6A 250VAC, 6A 30VDC
Minimum contact current	1mA
Minimum contact voltage	24V
<b>General data</b>	
Ambient temperature (operational)	-25°C ~ 50°C
Storage temperature	-40°C ~ 60°C
Weight 6.50 / 8.00	Approx. ---g / 444.2g
<b>Dimensions</b>	
Length x width x height (mm)	6.50 Pitch - 8.00 Pitch 165 x 87.5 x 73.3
Mounting rail	TS35 (Weidmuller)

**Ordering data**

Order No.	
--- (6.50 Pitch)	832220013 (8.00 Pitch)

**Accessories / Spare part**

Terminal markers	6.50	8.00 DEK 5/8
Cross-connector	6.50	8.00 COM-8009

**Use with**

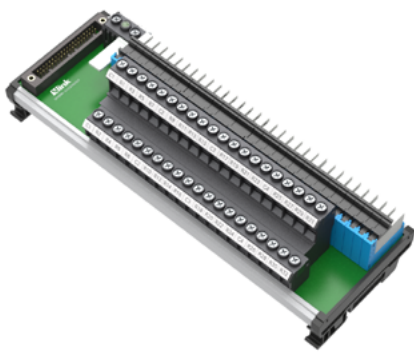
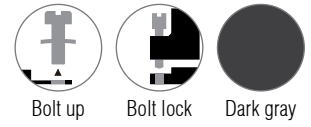
Front connector	Cable
S7-300S-DA20P	DAHHC20-10K24B

**Digital output relay unit**  
For 32 isolated digital output signals

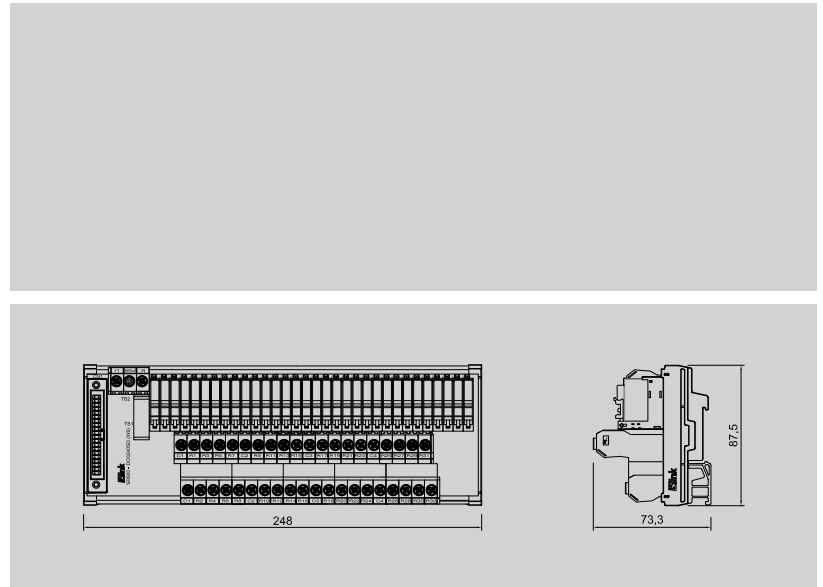
6ES7322-1BL00-0AA0

Relay - WAGO 6A 32 point (32a), 8COM x 4

**SR800 40P series**



SR800-D03240SD (W6)



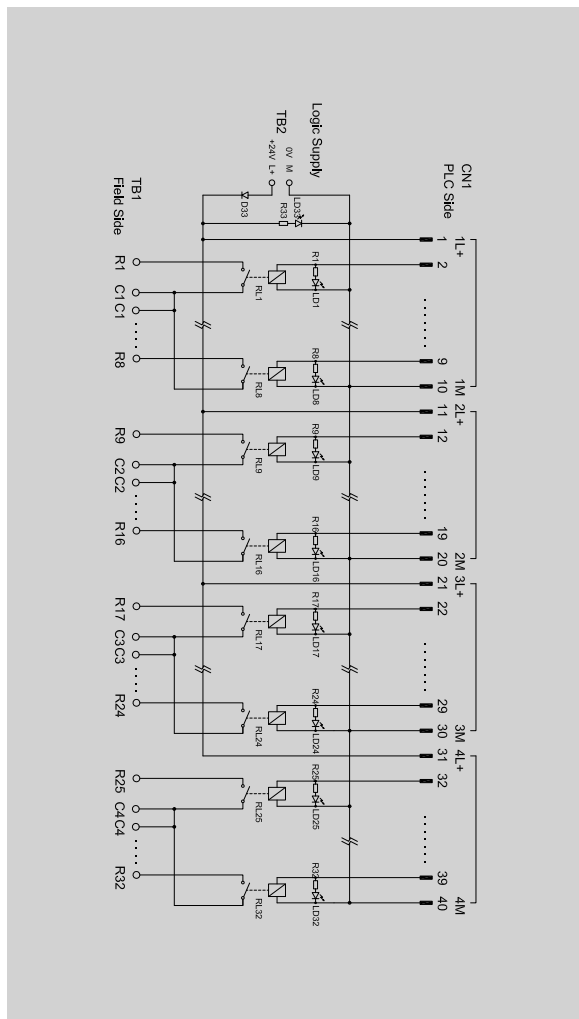
**Technical data**

<b>Connection data</b>	
Connection to PLC	HE 10 connectors 40-pin
Connection type (field)	Screw bolt up
Connection size (field)	0.34 – 2.5mm <sup>2</sup> (AWG22 – 14)
<b>Nominal input data (coil)</b>	
Rated voltage	24VDC ± 10%
Rated current DC	9.2mA
Pick-up / drop-out volt. DC-coil	>16.8V / <3.5V
Coil resistance (+ / - 10%)	2,600
Power rating	220mW
LED status indication per channel	Green(5mA)
<b>Nominal output data</b>	
Contact material	AgSnO <sub>2</sub>
Operating voltage	250VAC
Max. switching current	6A
Nominal switching capacity	6A 250VAC, 6A 30VDC
Minimum contact current	1mA
Minimum contact voltage	24V
<b>General data</b>	
Ambient temperature (operational)	-25°C – 50°C
Storage temperature	-40°C – 60°C
Weight 6.50 / 8.00	Approx. ---g / 680.7g
<b>Dimensions</b>	
Length x width x height (mm)	6.50 Pitch -
	8.00 Pitch 248 x 87.5 x 73.3
Mounting rail	TS35 (Weidmuller)

<b>Ordering data</b>	
Order No.	
--- (6.50 Pitch)	834220014 (8.00 Pitch)

<b>Accessories / Spare part</b>	
Terminal markers	6.50 8.00 DEK 5/8
Cross-connector	6.50 8.00 COM-8009

<b>Use with</b>	
Front connector	Cable
S7-300S-DA40P	DAHHC40-10K24B

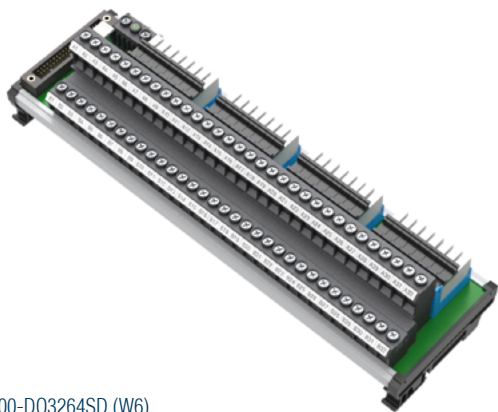
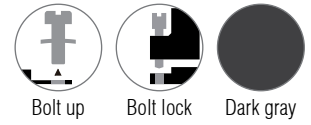




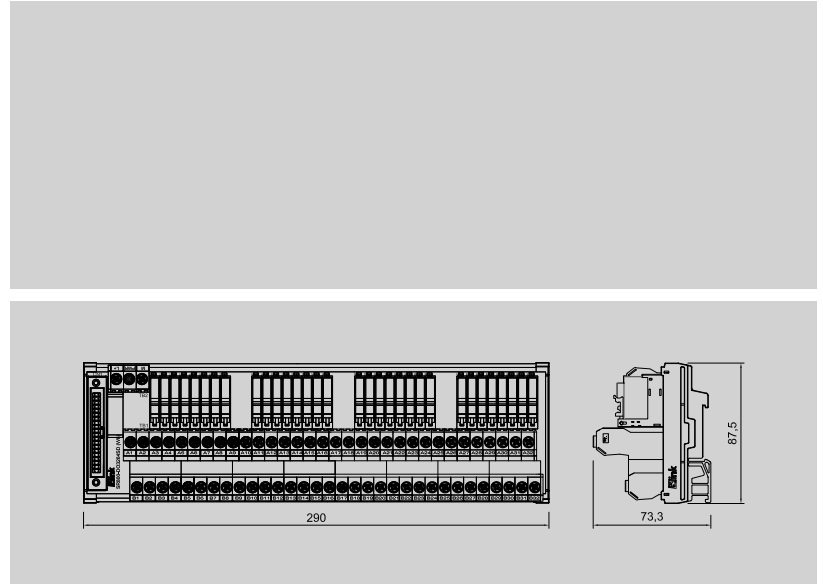
**Digital output relay unit**  
For 32 isolated digital output signals  
Relay - WAGO 6A 32 point (32a)

6ES7322-1BL00-0AA0

**SR800 40P series**

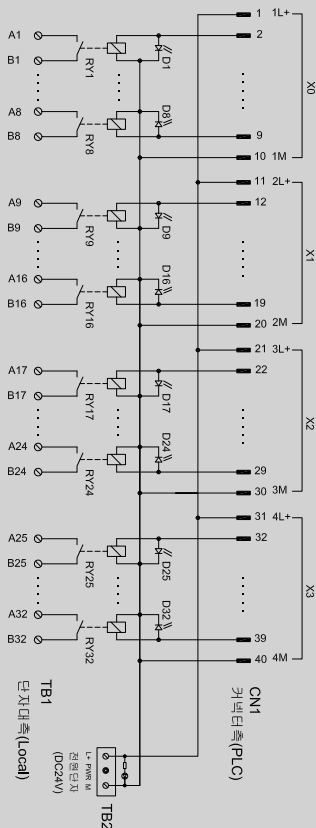


SR800-D03264SD (W6)



**Technical data**

<b>Connection data</b>	
Connection to PLC	HE 10 connectors 40-pin
Connection type (field)	Screw bolt up
Connection size (field)	0.34 ~ 2.5mm <sup>2</sup> (AWG22 ~ 14)
<b>Nominal input data (coil)</b>	
Rated voltage	24VDC ± 10%
Rated current DC	9.2mA
Pick-up / drop-out volt. DC-coil	>16.8V / <3.5V
Coil resistance (+ / - 10%)	2,600
Power rating	220mW
LED status indication per channel	Green(5mA)
<b>Nominal output data</b>	
Contact material	AgSnO <sub>2</sub>
Operating voltage	250VAC
Max. switching current	6A
Nominal switching capacity	6A 250VAC, 6A 30VDC
Minimum contact current	1mA
Minimum contact voltage	24V
<b>General data</b>	
Ambient temperature (operational)	-25°C ~ 50°C
Storage temperature	-40°C ~ 60°C
Weight 6.50 / 8.00	Approx. ---g / 836.5g
<b>Dimensions</b>	
Length x width x height (mm)	6.50 Pitch - 8.00 Pitch 290 x 87.5 x 73.3
<b>Mounting rail</b>	
TS35 (Weidmuller)	
<b>Ordering data</b>	
Order No.	
--- (6.50 Pitch)	8342180015 (8.00 Pitch)
<b>Accessories / Spare part</b>	
Terminal markers	6.50 8.00 DEK 5/8
Cross-connector	6.50 8.00 COM-8009
<b>Use with</b>	
Front connector	Cable
S7-300S-DA40P	DAHHC40-10K24B



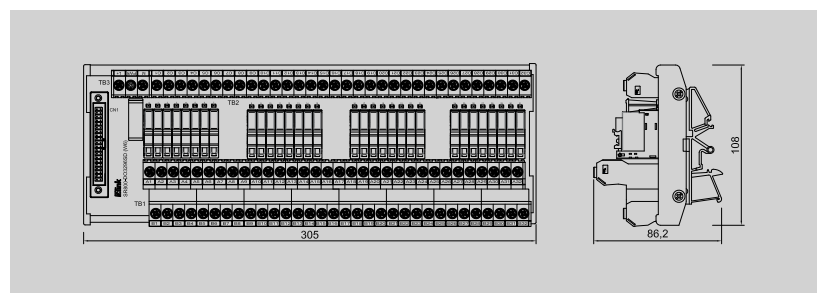
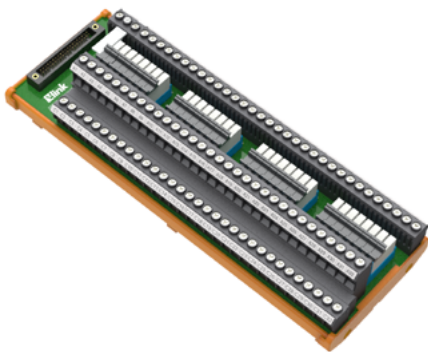
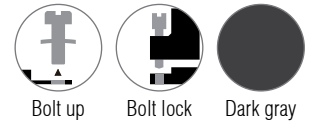
# Digital output relay unit

For 32 isolated digital output signals

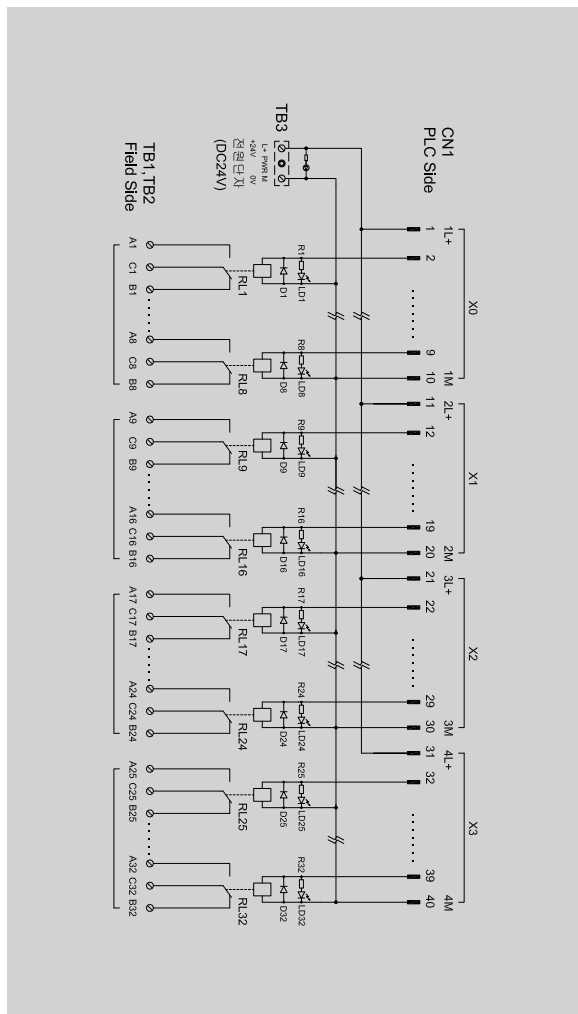
6ES7322-1BL00-0AA0

Relay - WAGO 6A 32 point (32a, 32b)

SR800 40P series



SR800-D03296SD (W6)



## Technical data

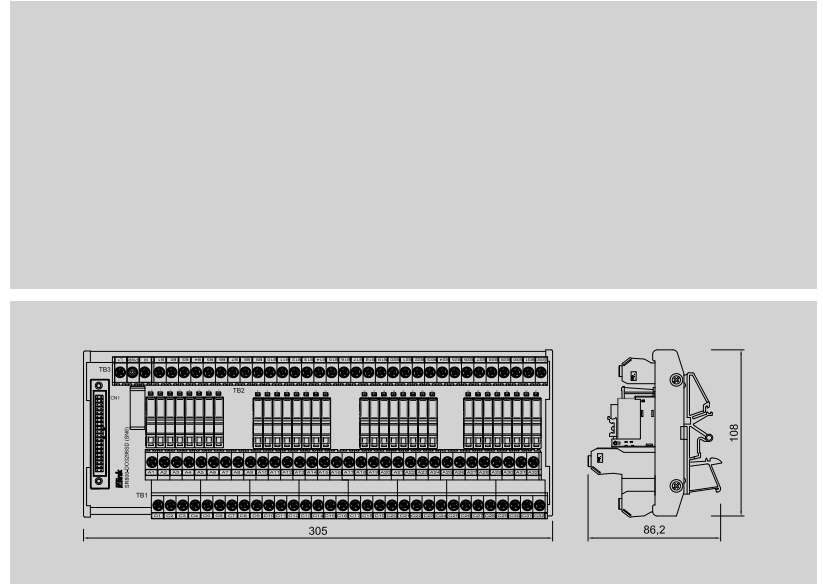
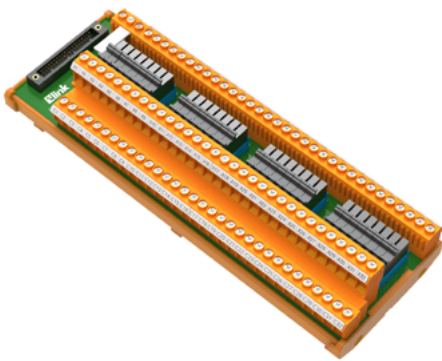
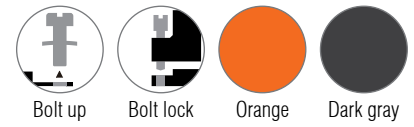
Connection data	
Connection to PLC	HE 10 connectors 40-pin
Connection type (field)	Screw bolt up
Connection size (field)	0.34 – 2.5mm <sup>2</sup> (AWG22 – 14)
Nominal input data (coil)	
Rated voltage	24VDC ± 10%
Rated current DC	9.2mA
Pick-up / drop-out volt. DC-coil	>16.8V / <3.5V
Coil resistance (+ / - 10%)	2,600
Power rating	220mW
LED status indication per channel	Green(5mA)
Nominal output data	
Contact material	AgSnO <sub>2</sub>
Operating voltage	250VAC
Max. switching current	6A
Nominal switching capacity	6A 250VAC, 6A 30VDC
Minimum contact current	1mA
Minimum contact voltage	24V
General data	
Ambient temperature (operational)	-25°C – 50°C
Storage temperature	-40°C – 60°C
Weight 6.50 / 8.00	Approx. ---g / 1,076.6g
Dimensions	
Length x width x height (mm)	6.50 Pitch - 8.00 Pitch 305 x 108 x 86.2
Mounting rail	TS35 (Weidmuller)
Ordering data	
Order No.	
--- (6.50 Pitch)	8342180016 (8.00 Pitch)
Accessories / Spare part	
Terminal markers	6.50 8.00 DEK 5/8
Cross-connector	6.50 8.00 COM-8009
Use with	
Front connector	Cable
S7-300S-DA40P	DAHHC40-10K24B

**Digital output relay unit**  
For 32 isolated digital output signals

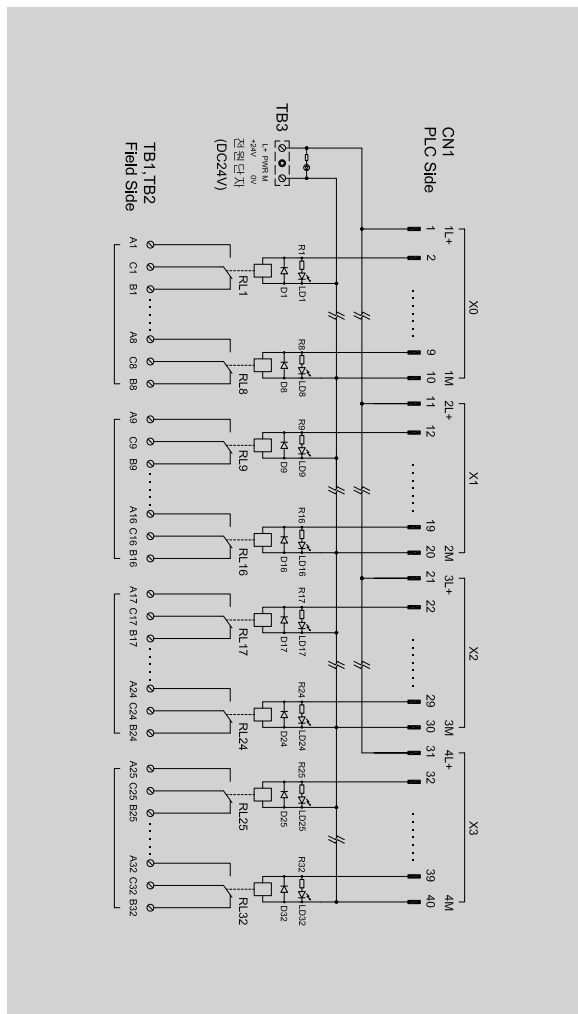
6ES7322-1BL00-0AA0

Relay - Schneider 6A 32 point (32a, 32b)

**SR800 40P series**



SR800-D03296SD (SN6)



**Technical data**

<b>Connection data</b>	
Connection to PLC	HE 10 connectors 40-pin
Connection type (field)	Screw bolt up
Connection size (field)	0.34 ~ 2.5mm <sup>2</sup> (AWG22 ~ 14)
<b>Nominal input data (coil)</b>	
Rated voltage	24VDC ± 10%
Rated current DC	7.0mA
Pick-up / drop-out volt. DC-coil	>16.8V / <1.2VDC
Coil resistance (+ / - 10%)	3,390
Power rating	170mW
LED status indication per channel	Green(5mA)
<b>Nominal output data</b>	
Contact material	AgSnO <sub>2</sub>
Operating voltage	250VAC
Max. switching current	6A
Nominal switching capacity	6A 250VAC, 6A 30VDC
Minimum contact current	1mA
Minimum contact voltage	24V
<b>General data</b>	
Ambient temperature (operational)	-25°C ~ 50°C
Storage temperature	-40°C ~ 60°C
Weight 6.50 / 8.00	Approx. ---g / 1,076.6g
<b>Dimensions</b>	
Length x width x height (mm)	6.50 Pitch - 8.00 Pitch 305 x 108 x 86.2
Mounting rail	TS35 (Weidmuller)
<b>Ordering data</b>	
Order No.	
--- (6.50 Pitch)	834219017 (8.00 Pitch)
<b>Accessories / Spare part</b>	
Terminal markers	6.50 8.00 DEK 5/8
Cross-connector	6.50 8.00 COM-8009
<b>Use with</b>	
Front connector	Cable
S7-300S-DA40P	DAHHC40-10K24B

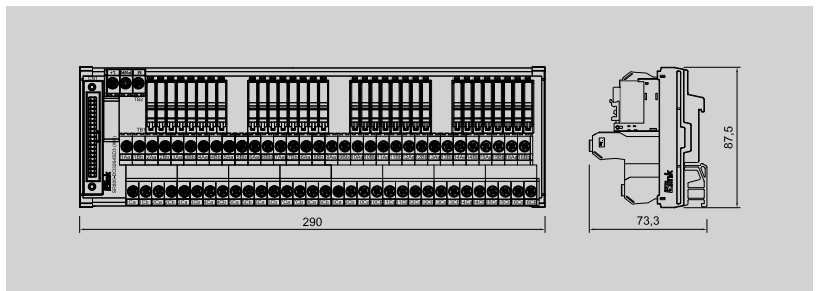
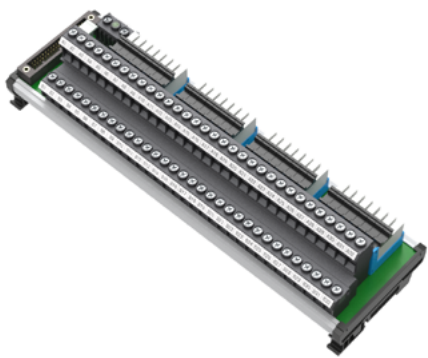
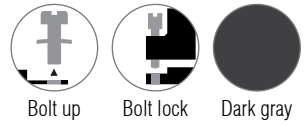
# Digital output relay unit

For 32 isolated digital output signals

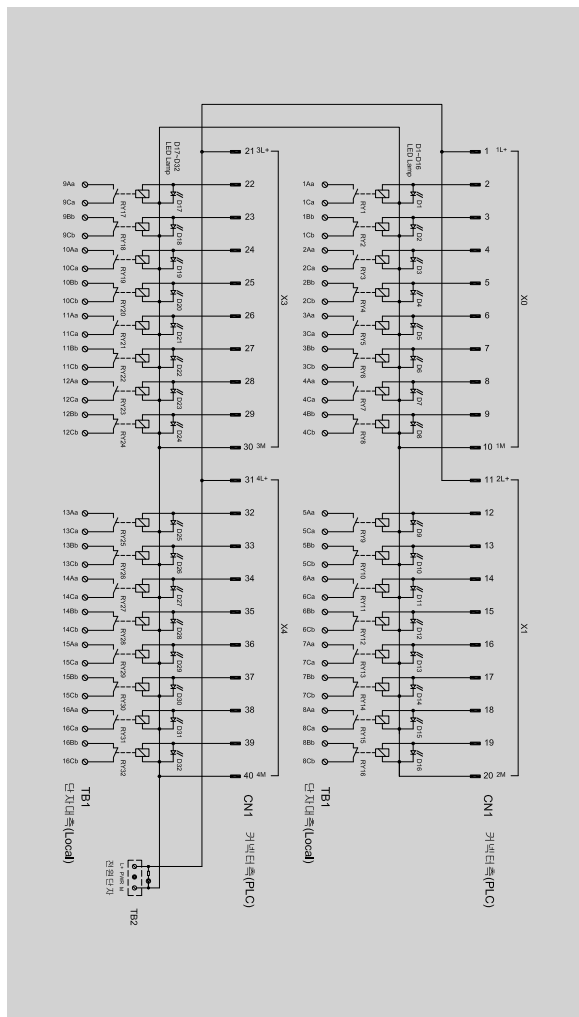
6ES7322-1BL00-0AA0

Relay - WAGO 6A 32 point (16a, 16b)

SR800 40P series



SR800-D03264SD3 (W6)



## Technical data

Connection data	
Connection to PLC	HE 10 connectors 40-pin
Connection type (field)	Screw bolt up
Connection size (field)	0.34 ~ 2.5mm <sup>2</sup> (AWG22 ~ 14)
Nominal input data (coil)	
Rated voltage	24VDC ± 10%
Rated current DC	9.2mA
Pick-up / drop-out volt. DC-coil	>16.8V / <3.5V
Coil resistance (+ / - 10%)	2,600
Power rating	220mW
LED status indication per channel	Green(5mA)
Nominal output data	
Contact material	AgSnO <sub>2</sub>
Operating voltage	250VAC
Max. switching current	6A
Nominal switching capacity	6A 250VAC, 6A 30VDC
Minimum contact current	1mA
Minimum contact voltage	24V
General data	
Ambient temperature (operational)	-25°C ~ 50°C
Storage temperature	-40°C ~ 60°C
Weight 6.50 / 8.00	Approx. ---g / 846.5g
Dimensions	
Length x width x height (mm)	6.50 Pitch - 8.00 Pitch 290 x 87.5 x 73.3
Mounting rail	TS35 (Weidmuller)
Ordering data	
Order No.	
--- (6.50 Pitch)	834219018 (8.00 Pitch)
Accessories / Spare part	
Terminal markers	6.50 8.00 DEK 5/8
Cross-connector	6.50 8.00 COM-8009
Use with	
Front connector	Cable
S7-300S-DA40P	DAHHC40-10K24B

## Digital output relay unit

For 32 isolated digital output signals (fuses) input selection ON / OFF / AUTO

6ES7322-1BL00-0AA0

Relay - Tyco 8A 32 point (32a, 32a)

SR800 40P series



Bolt up



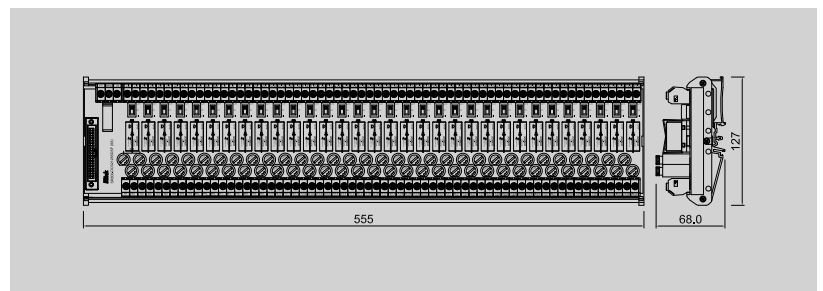
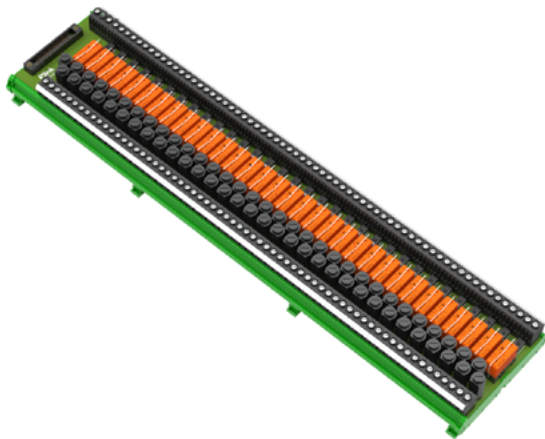
Bolt lock



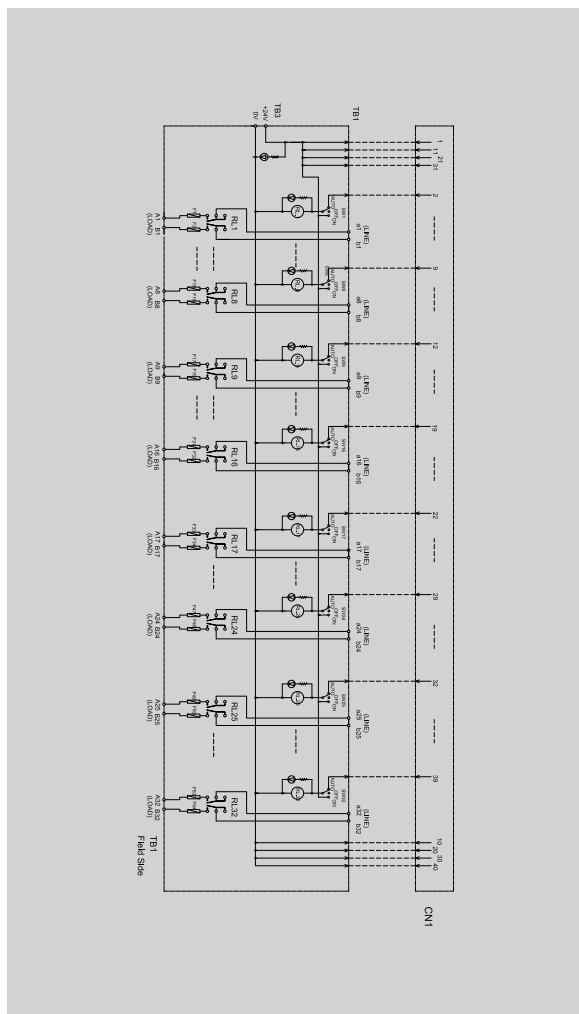
Orange



Dark gray



SR800-D032128SDSF(S8)



### Technical data

Connection data	
Connection to PLC	HE 10 connectors 40-pin
Connection type (field)	Screw bolt up
Connection size (field)	0.34 – 2.5mm <sup>2</sup> (AWG22 – 14)
Nominal input data (coil)	
Rated voltage	24VDC ± 10%
Rated current DC	16.7mA
Pick-up / drop-out volt. DC-coil	>16.8V / <2.4V
Coil resistance (+ / - 10%)	1,440
Power rating	400mW
LED status indication per channel	Red(5mA)
Nominal output data	
Contact material	AgNi 90/10
Operating voltage	250VAC
Max. switching current	8A
Nominal switching capacity	8A 250VAC, 8A 30VDC
Minimum contact current	10mA
Minimum contact voltage	10V
Fuse per relay	5 / 8A
General data	
Ambient temperature (operational)	-25°C – 50°C
Storage temperature	-40°C – 60°C
Weight 6.50 / 8.00	Approx. ---g / 1,560.8g
Dimensions	
Length x width x height (mm)	8.00 Pitch 555 x 127 x 68
Mounting rail	TS35 (Weidmuller)
Ordering data	
Order No.	
--- (6.50 Pitch)	834219019 (8.00 Pitch)
Accessories / Spare part	
Terminal markers	6.50 8.00 DEK 5/8
Cross-connector	6.50 8.00 COM-8009
Use with	
Front connector	Cable
S7-300S-DA40P	DAHHC40-10K24B

Page : 99

Page : 106

## Digital input relay unit

For 32 isolated digital input signals

6ES7321-1BL00-0AA0

Relay - WAGO 6A 32 point (32a - NPN)

SR800 40P series



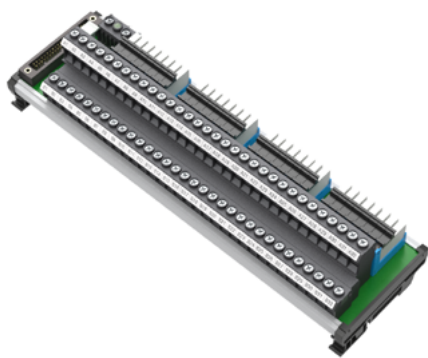
Bolt up



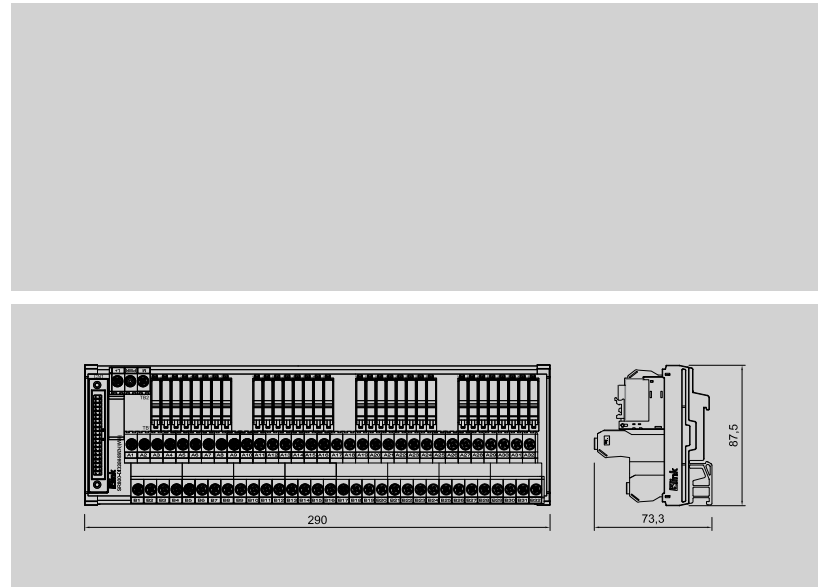
Bolt lock



Dark gray

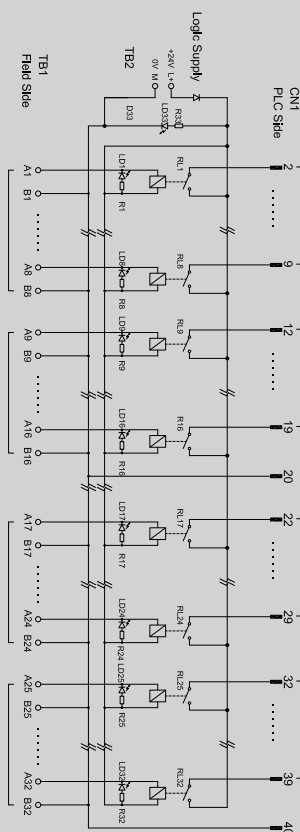


SR800-DI3264SWN (W6)



### Technical data

Connection data	
Connection to PLC	HE 10 connectors 40-pin
Connection type (field)	Screw bolt up
Connection size (field)	0.34 – 2.5mm <sup>2</sup> (AWG22 – 14)
Nominal input data (coil)	
Rated voltage	24VDC ± 10%
Rated current DC	9.2mA
Pick-up / drop-out volt. DC-coil	>16.8V / <3.5V
Coil resistance (+ / - 10%)	2,600
Power rating	220mW
LED status indication per channel	Green(5mA)
Nominal output data	
Contact material	AgSnO <sub>2</sub>
Operating voltage	250VAC
Max. switching current	6A
Nominal switching capacity	6A 250VAC, 6A 30VDC
Minimum contact current	1mA
Minimum contact voltage	24V
General data	
Ambient temperature (operational)	-25°C – 50°C
Storage temperature	-40°C – 60°C
Weight 6.50 / 8.00	Approx. ---g / 836.5g
Dimensions	
Length x width x height (mm)	6.50 Pitch -
	8.00 Pitch 290 x 87.5 x 73.3
Mounting rail	
	TS35 (Weidmuller)
Ordering data	
Order No.	
--- (6.50 Pitch)	834219020 (8.00 Pitch)
Accessories / Spare part	
Terminal markers	6.50 8.00 DEK 5/8
Cross-connector	6.50 8.00 COM-8009
Use with	
Front connector	Cable
S7-300S-DA40P	DAHHC40-10K24B



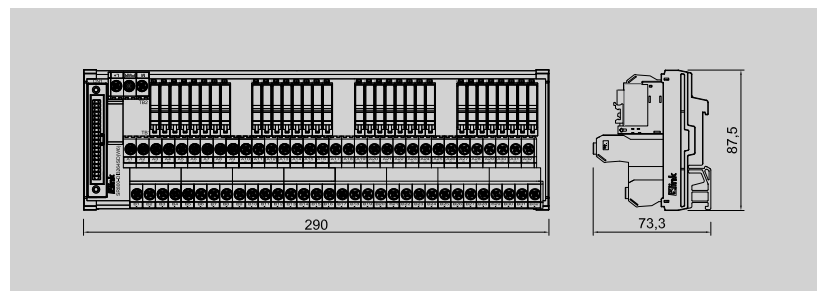
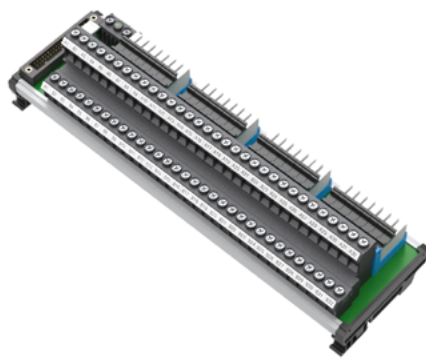
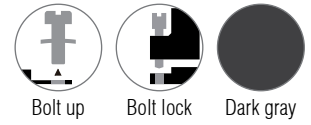
# Digital input relay unit

For 32 isolated digital input signals

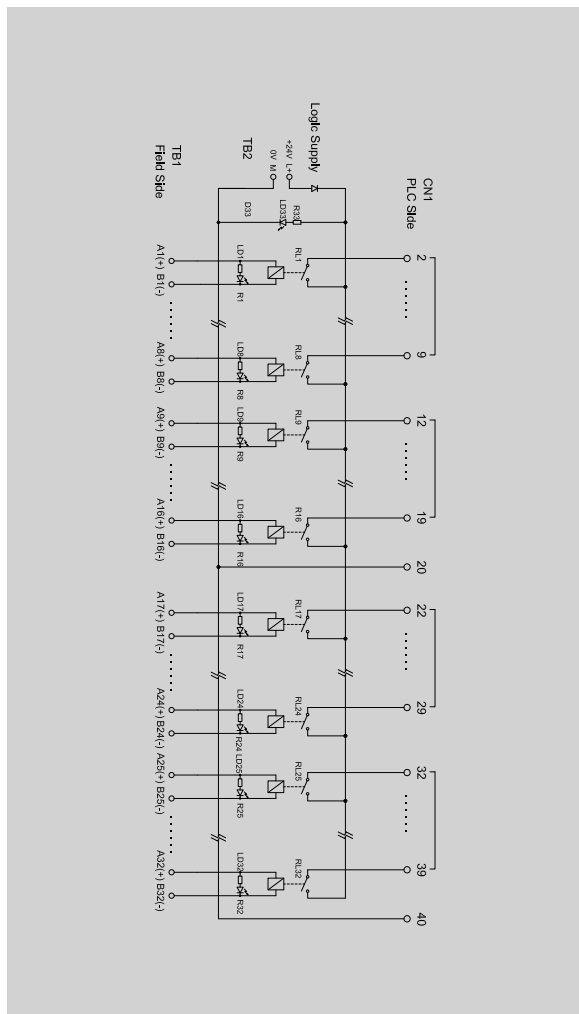
6ES7321-1BL00-0AA0

Relay - WAGO 6A 32 point (32a)

SR800 40P series



SR800-DI3264SD (W6)



## Technical data

Connection data	
Connection to PLC	HE 10 connectors 40-pin
Connection type (field)	Screw bolt up
Connection size (field)	0.34 – 2.5mm <sup>2</sup> (AWG22 – 14)
Nominal input data (coil)	
Rated voltage	24VDC ± 10%
Rated current DC	9.2mA
Pick-up / drop-out volt. DC-coil	>16.8V / <3.5V
Coil resistance (+ / - 10%)	2,600
Power rating	220mW
LED status indication per channel	Green(5mA)
Nominal output data	
Contact material	AgSnO <sub>2</sub>
Operating voltage	250VAC
Max. switching current	6A
Nominal switching capacity	6A 250VAC, 6A 30VDC
Minimum contact current	1mA
Minimum contact voltage	24V
General data	
Ambient temperature (operational)	-25°C – 50°C
Storage temperature	-40°C – 60°C
Weight 6.50 / 8.00	Approx. ---g / 836.5g
Dimensions	
Length x width x height (mm)	6.50 Pitch -
	8.00 Pitch 290 x 87.5 x 73.3
Mounting rail	
	TS35 (Weidmuller)
Ordering data	
Order No.	
--- (6.50 Pitch)	834219021 (8.00 Pitch)
Accessories / Spare part	
Terminal markers	6.50 8.00 DEK 5/8
Cross-connector	6.50 8.00 COM-8009
Use with	
Front connector	Cable
S7-300S-DA40P	DAHHC40-10K24B