

Supply voltage distributor modules

ST800 전원분배 단자대는 4, 8, 12 Way 3종의 모듈로 구성되어 있으며 시스템에 맞게 전원을 분배하므로 안정된 전원을 공급할 수 있습니다.

- Bolt-up (terminal block)
- Compact design
- Power indicator
- DIN (rail mounted type)
- Dual marking



EZlink power COM ST800 series

Product constitution



1. ST800

- Terminal block
- 800 : 8.0 Pitch

2. U

- Universal type

3. 04

- Power channels

4. 08

- The number of load power terminals

5. COM

- Common

6. FD

- Fuse

Supply voltage distributor modules

Power distributor 4ch. 24VDC

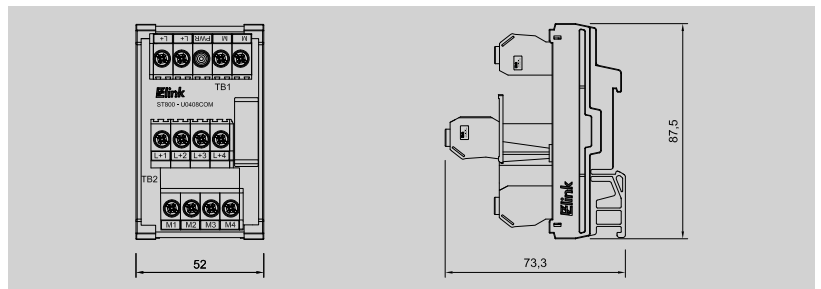
ST800 series



Bolt up



Dark gray



Technical data

Connection data	
Connection on process side	PCB terminal TSC SL8.00 / 3.5
Connection type	Screw bolt up
Connection size	0.5 - 2.5mm ² (AWG20 - 14)
Conversion PCB / plug connector	4-Way supply vol. distributor + / - 4-pole feed

Input-output data	
Rated voltage	30V AC / DC
Max. total current	20A
Supply voltage / LED voltage status	24VDC ± 10% / LED green

General data	
Ambient temperature	-25°C - 50°C
Storage temperature	-40°C - 60°C
Rated voltage	≤ 50V AC
Insulation test voltage	0.5KV DC
Weight 6.50 / 8.00	Approx. ---g / 101.7g

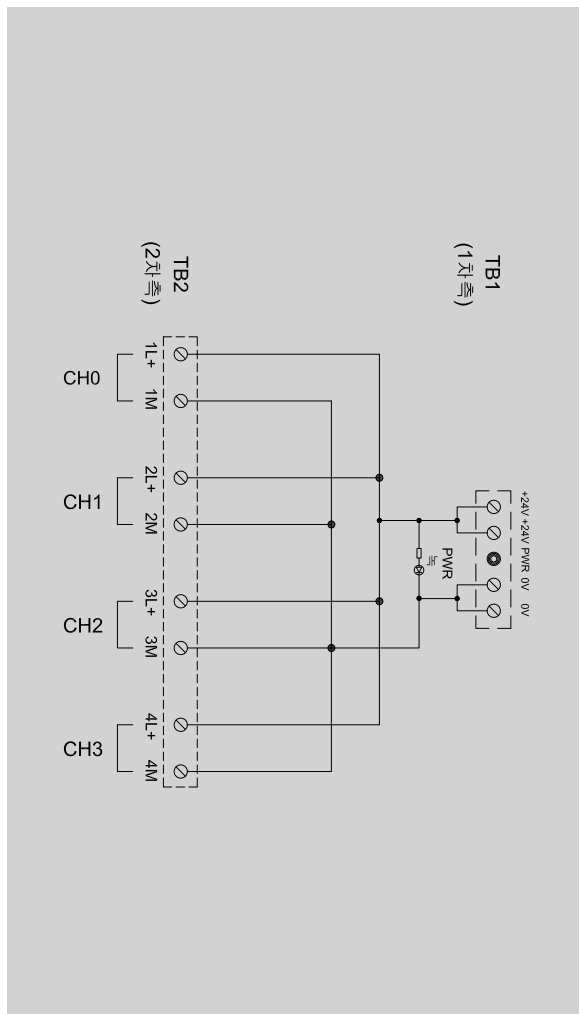
Dimensions	
Length x width x height (mm)	6.50 Pitch -
	8.00 Pitch 52 x 87.5 x 73.3
Mounting rail	TS35 (Weidmuller)

Ordering data	
Order No.	
--- (6.50 Pitch)	820720001 (8.00 Pitch)

Accessories / Spare part	
Terminal markers	6.50 8.00 DEK 5/8
Cross-connector	6.50 8.00 COM-8009

Use with	
Front connector	Cable

ST800-U0408COM 8.00pitch



Supply voltage distributor modules with fuse or disconnection per channel

Power distributor 4ch. 24VDC

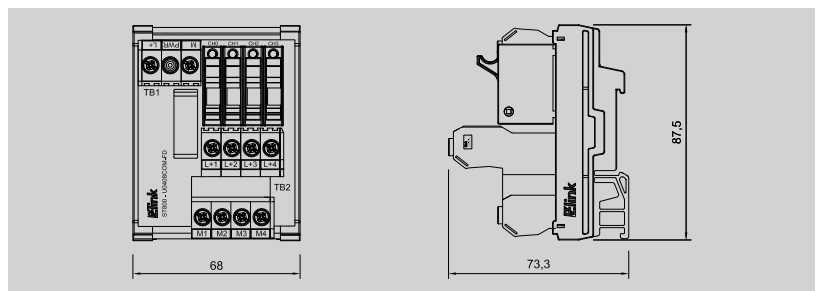
ST800 series



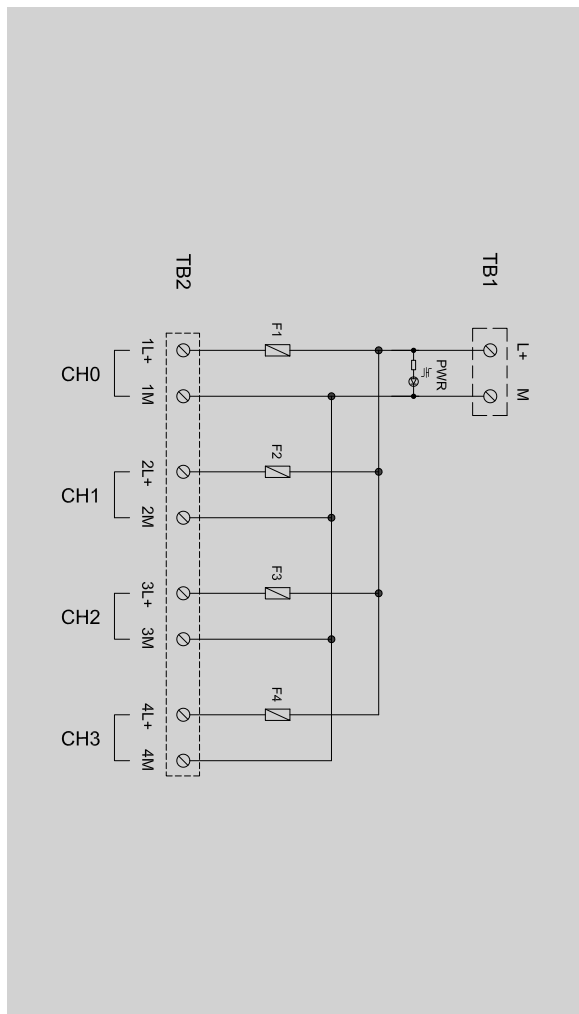
Bolt up



Dark gray



ST800-U0408COM-FD 8.00pitch



Technical data

Connection data	
Connection on process side	PCB terminal TSC SL8.00 / 3.5
Connection type	Screw bolt up
Connection size	0.5 - 2.5mm ² (AWG20 - 14)
Conversion PCB / plug connector	4-Way supply vol. distributor + / - 2-pole feed

Input-output data	
Rated voltage	30V AC / DC
Max. total current	20A
Supply voltage / LED voltage status	24VDC ± 10% / LED green
Fuse per channel	1A - 5A

General data	
Ambient temperature	-25°C - 50°C
Storage temperature	-40°C - 60°C
Rated voltage	≤ 50V AC
Insulation test voltage	0.5KV DC
Weight 6.50 / 8.00	Approx. ---g / 129.5g

Dimensions	
Length x width x height (mm)	6.50 Pitch -
	8.00 Pitch 68 x 87.5 x 73.3

Mounting rail	TS35 (Weidmuller)
----------------------	-------------------

Ordering data	
Order No.	
--- (6.50 Pitch)	820720002 (8.00 Pitch)

Accessories / Spare part	
Terminal markers	6.50 8.00 DEK 5/8
Cross-connector	6.50 8.00 COM-8009

Use with	
Front connector	Cable

Supply voltage distributor modules

Power distributor 8ch. 24VDC

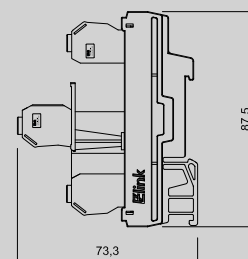
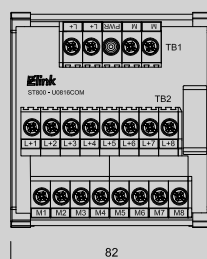
ST800 series



Bolt up



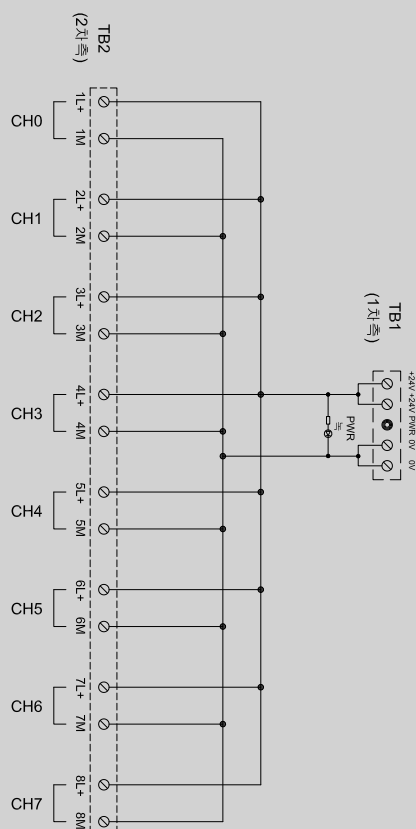
Dark gray



Technical data

Connection data	
Connection on process side	PCB terminal TSC SL8.00 / 3.5
Connection type	Screw bolt up
Connection size	0.5 - 2.5mm ² (AWG20 - 14)
Conversion PCB / plug connector	8-Way supply vol. distributor + / - 4-pole feed
Input-output data	
Rated voltage	30V AC / DC
Max. total current	20A
Supply voltage / LED voltage status	24VDC ± 10% / LED green
General data	
Ambient temperature	-25°C - 50°C
Storage temperature	-40°C - 60°C
Rated voltage	≤ 50V AC
Insulation test voltage	0.5KV DC
Weight 6.50 / 8.00	Approx. ---g / 167.0g
Dimensions	
Length x width x height (mm)	6.50 Pitch -
	8.00 Pitch 82 x 87.5 x 73.3
Mounting rail	TS35 (Weidmuller)
Ordering data	
Order No.	
--- (6.50 Pitch)	820720003 (8.00 Pitch)
Accessories / Spare part	
Terminal markers	6.50 8.00 DEK 5/8
Cross-connector	6.50 8.00 COM-8009
Use with	
Front connector	Cable

ST800-U0816COM 8.00pitch



Supply voltage distributor modules with fuse or disconnection per channel

Power distributor 8ch. 24VDC

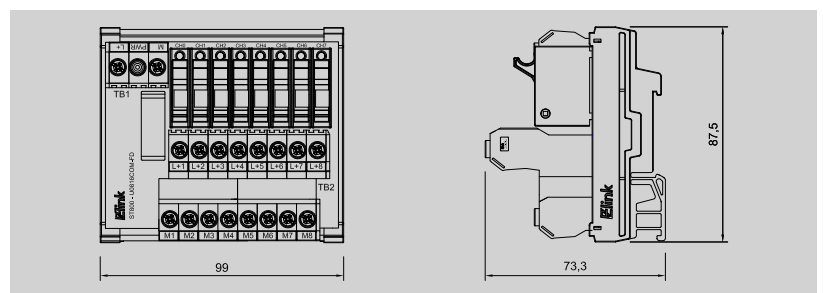
ST800 series



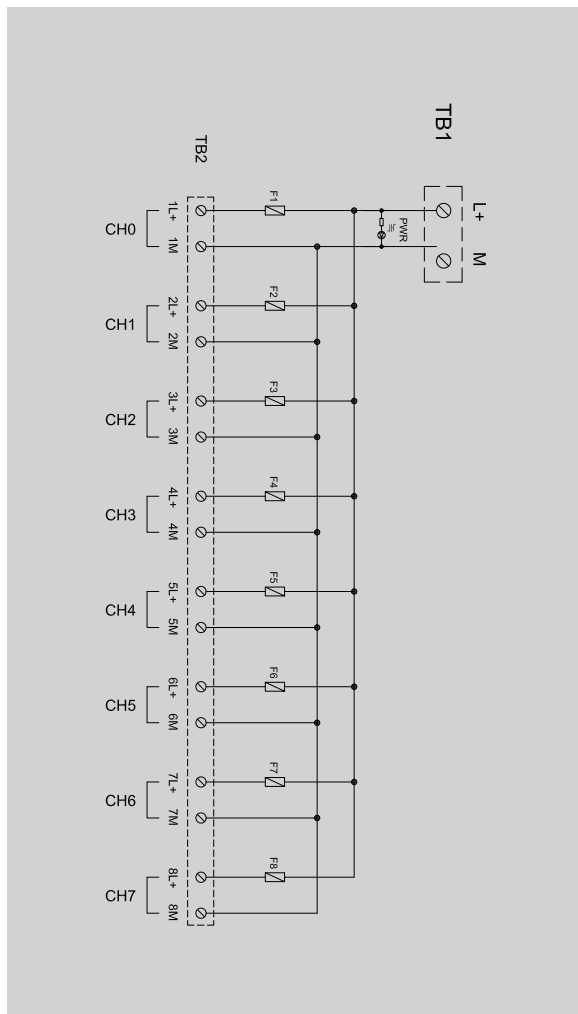
Bolt up



Dark gray



ST800-U0816COM-FD 8.00pitch



Technical data

Connection data	
Connection on process side	PCB terminal TSC SL8.00 / 3.5
Connection type	Screw bolt up
Connection size	0.5 - 2.5mm ² (AWG20 - 14)
Conversion PCB / plug connector	8-Way supply vol. distributor + / - 2-pole feed
Input-output data	
Rated voltage	30V AC / DC
Max. total current	20A
Supply voltage / LED voltage status	24VDC ± 10% / LED green
Fuse per channel	1A - 2.5A
General data	
Ambient temperature	-25°C - 50°C
Storage temperature	-40°C - 60°C
Rated voltage	≤ 50V AC
Insulation test voltage	0.5KV DC
Weight 6.50 / 8.00	Approx. ---g / 221.4g
Dimensions	
Length x width x height (mm)	6.50 Pitch -
	8.00 Pitch 99 x 87.5 x 73.3
Mounting rail	
TS35 (Weidmuller)	
Ordering data	
Order No.	
--- (6.50 Pitch)	820720004 (8.00 Pitch)
Accessories / Spare part	
Terminal markers	6.50 8.00 DEK 5/8
Cross-connector	6.50 8.00 COM-8009
Use with	
Front connector	Cable

Supply voltage distributor modules

Power distributor 12ch. 24VDC

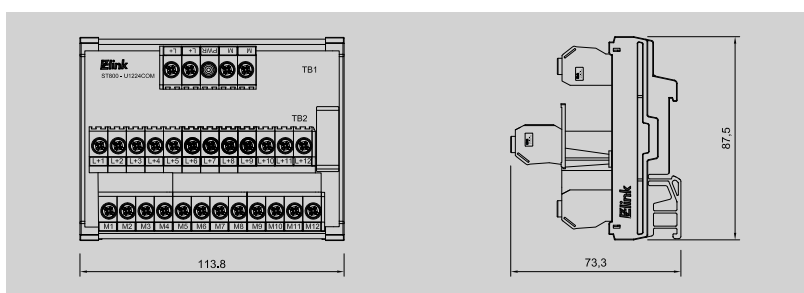
ST800 series



Bolt up



Dark gray



Technical data

Connection data	
Connection on process side	PCB terminal TSC SL8.00 / 3.5
Connection type	Screw bolt up
Connection size	0.5 - 2.5mm ² (AWG20 - 14)
Conversion PCB / plug connector	12-Way supply vol. distributor + / - 4-pole feed

Input-output data	
Rated voltage	30V AC / DC
Max. total current	20A
Supply voltage / LED voltage status	24VDC ± 10% / LED green

General data	
Ambient temperature	-25°C - 50°C
Storage temperature	-40°C - 60°C
Rated voltage	≤ 50V AC
Insulation test voltage	0.5KV DC
Weight 6.50 / 8.00	Approx. ---g / 233.5g

Dimensions	
Length x width x height (mm)	6.50 Pitch -
	8.00 Pitch 113.8 x 87.5 x 73.3

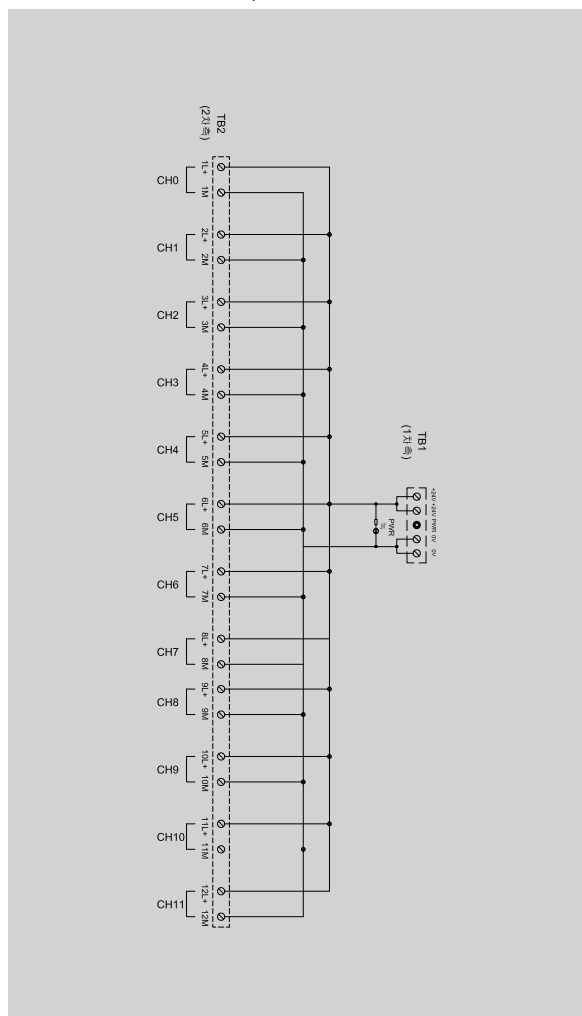
Mounting rail	TS35 (Weidmuller)
----------------------	-------------------

Ordering data	
Order No.	
--- (6.50 Pitch)	820720005 (8.00 Pitch)

Accessories / Spare part	
Terminal markers	6.50 8.00 DEK 5/8
Cross-connector	6.50 8.00 COM-8009

Use with	
Front connector	Cable

ST800-U1224COM 8.00pitch



Supply voltage distributor modules with fuse or disconnection per channel

Power distributor 12ch. 24VDC

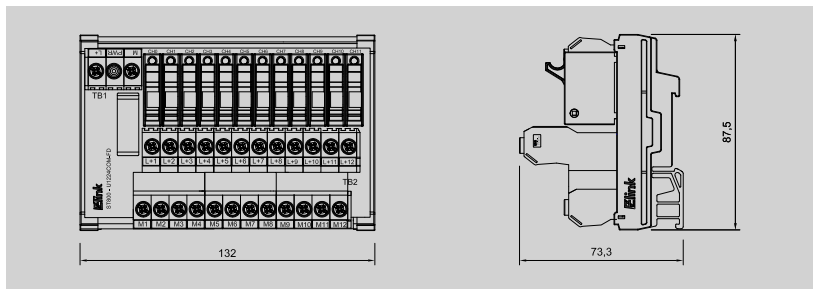
ST800 series



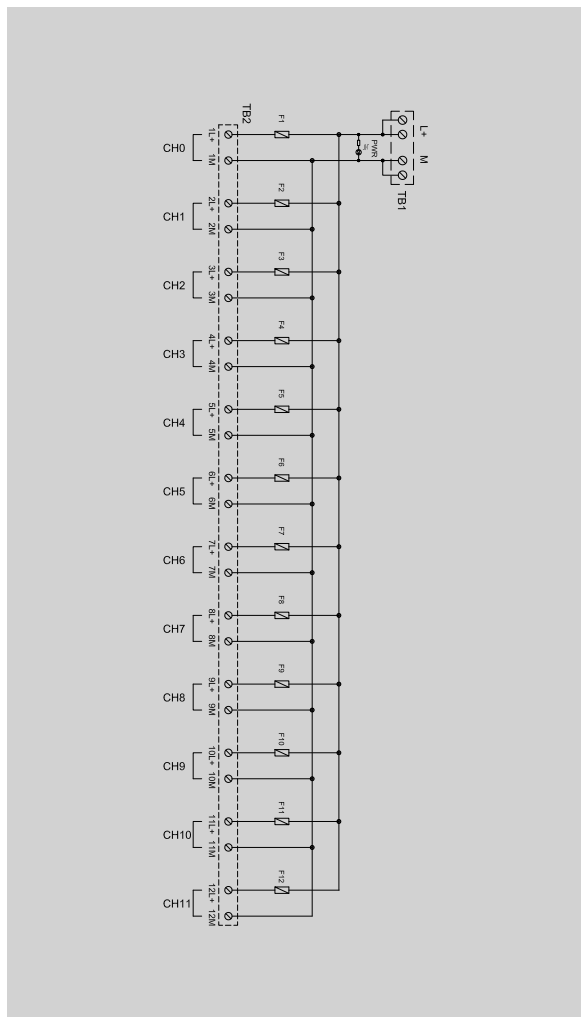
Bolt up



Dark gray



ST800-U1224COM- FD 8.00pitch



Technical data

Connection data	
Connection on process side	PCB terminal TSC SL8.00 / 3.5
Connection type	Screw bolt up
Connection size	0.5 - 2.5mm ² (AWG20 - 14)
Conversion PCB / plug connector	12-Way supply vol. distributor + / - 2-pole feed
Input-output data	
Rated voltage	30V AC / DC
Max. total current	20A
Supply voltage / LED voltage status	24VDC ± 10% / LED green
Fuse per channel	1A - 2.5A
General data	
Ambient temperature	-25°C - 50°C
Storage temperature	-40°C - 60°C
Rated voltage	≤ 50V AC
Insulation test voltage	0.5KV DC
Weight 6.50 / 8.00	Approx. ---g / 314.6g
Dimensions	
Length x width x height (mm)	6.50 Pitch -
	8.00 Pitch 132 x 87.5 x 73.3
Mounting rail	
TS35 (Weidmuller)	
Ordering data	
Order No.	
--- (6.50 Pitch)	820720006 (8.00 Pitch)
Accessories / Spare part	
Terminal markers	6.50 8.00 DEK 5/8
Cross-connector	6.50 8.00 COM-8009
Use with	
Front connector	Cable