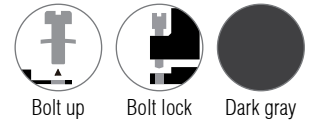


Digital output 16 point

For 16 digital signals with fuse per channel

6ES7322-1BH01-0AA0 / 6ES7322-1BH10-0AA0

ST650 / ST800 20P series



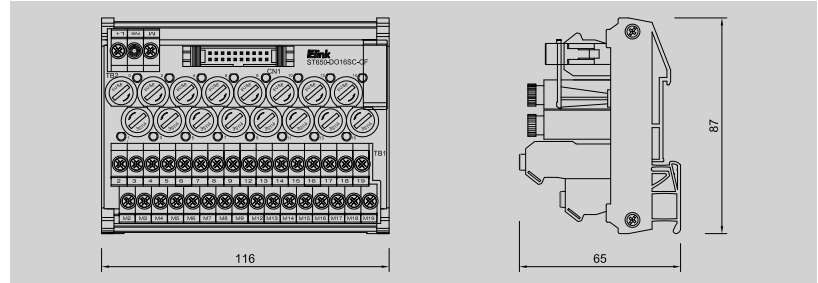
Bolt up

Bolt lock

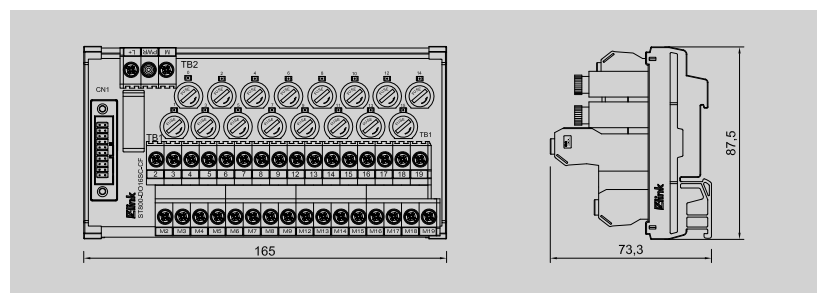
Dark gray



ST650-DO16SC-CF 6.50 Pitch



ST800-DO16SC-CF 8.00 Pitch



Technical data

Connection data	
Connection to PLC	HE 10 connectors 20-pin
Connection type (field)	Screw bolt up
Connection size (field)	0.34 ~ 2.5mm ² (AWG22 ~ 14)

Input-output data	
Operating voltage	24VDC ± 10%
Max. current for channel	1.5A
Number of signs	16
PLC card supply voltage / LED voltage status	24VDC ± 10% / LED green
LED fuse indication per channel	Red
PLC card supply current	2A
Fuse per channel	100 ~ 500 mA

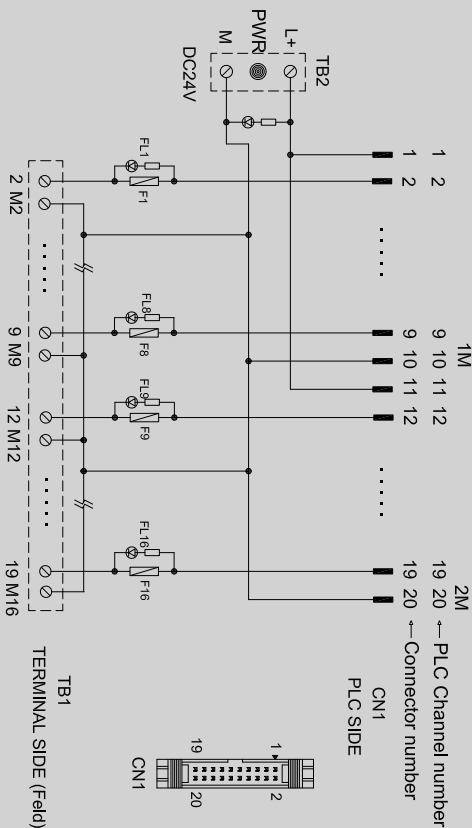
General data	
Ambient temperature	-25°C ~ 50°C
Storage temperature	-40°C ~ 60°C
Rated voltage	≤ 50V AC
Insulation test voltage	0.5KV DC
Weight 6.00 / 8.00	Approx. 263.2g / 357.9g

Dimensions		
Length x width x height (mm)	6.50 Pitch	116 x 87 x 65
	8.00 Pitch	165 x 87.5 x 73.3
Mounting rail	TS35 (Weidmuller)	

Ordering data	
Order No.	
622217005 (6.50 Pitch)	822220006 (8.00 Pitch)

Accessories / Spare part	
Terminal markers	6.50 8.00 DEK 5/8
Cross-connector	6.50 COM-6509 8.00 COM-8009

Use with	
Front connector	Cable
S7-300S-DA20P	DHH20-10K25L Page : 105
	DAHHC20-10K24B Page : 104



TERMINAL SIDE (Field)

PLC SIDE

PLC Channel number
Connector number